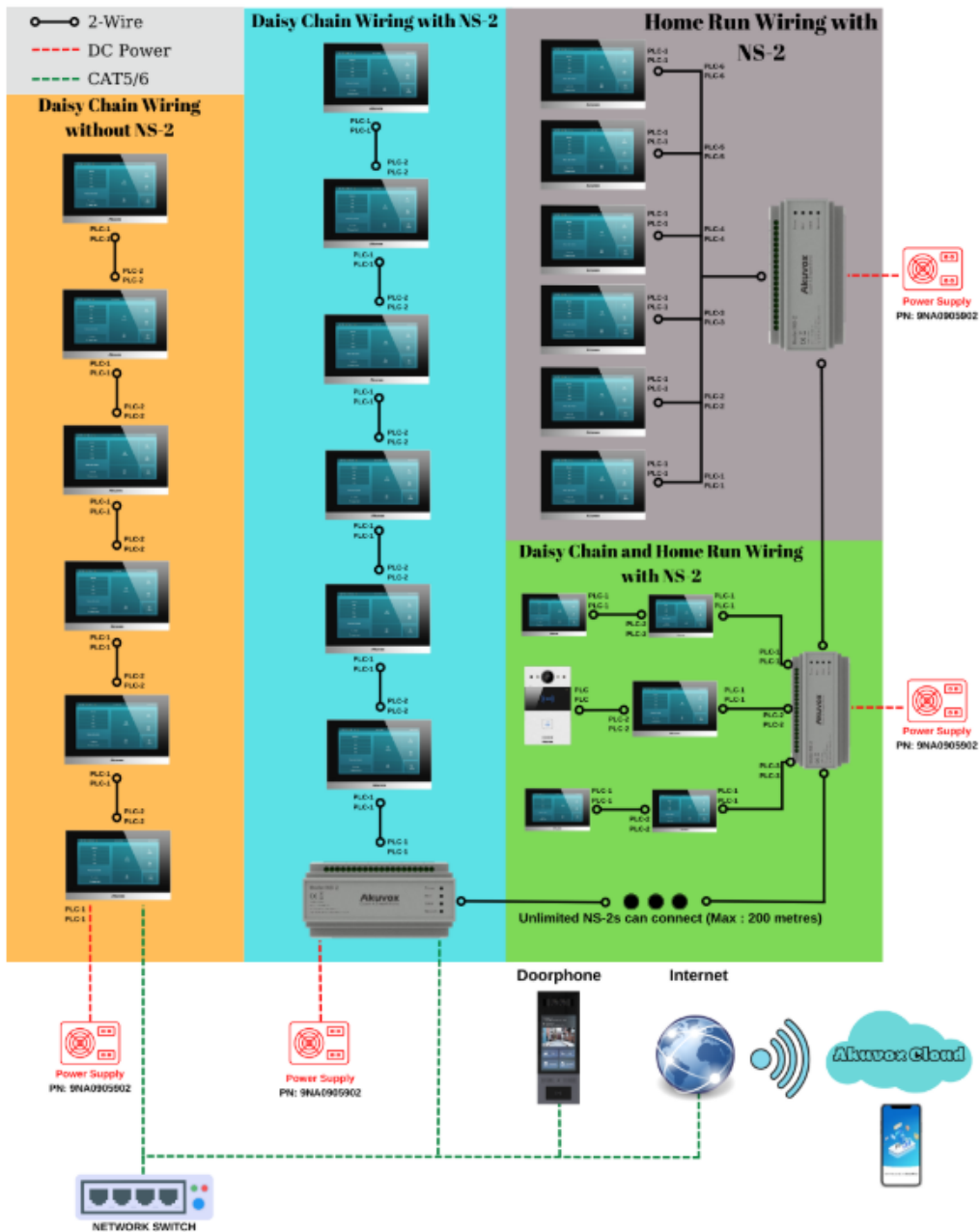


- For daisy chain wiring or home run, each NS-2 can supply power to no more than 6 intercom products. (R20A-2 & C313W-2)

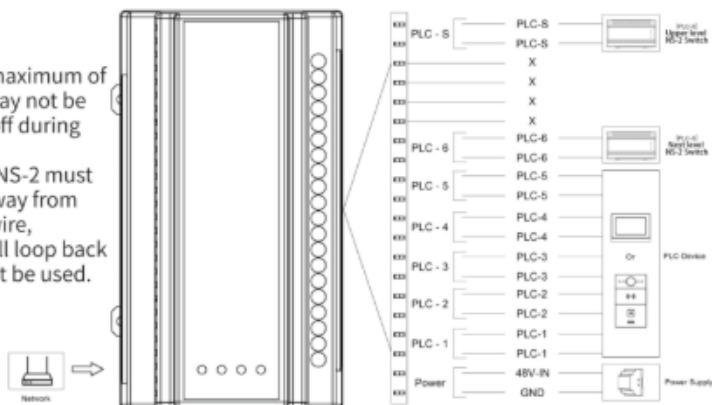


# NS-2 DEVICE WIRING

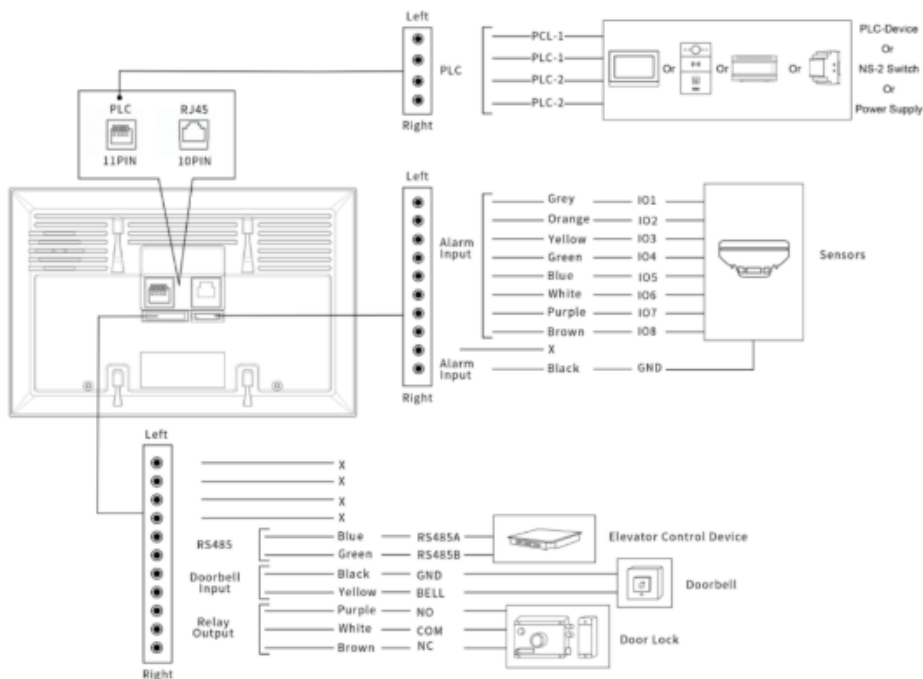
## Note:

- Each NS-2 supports a maximum of 6 loads, otherwise, it may not be powered on or power off during use.

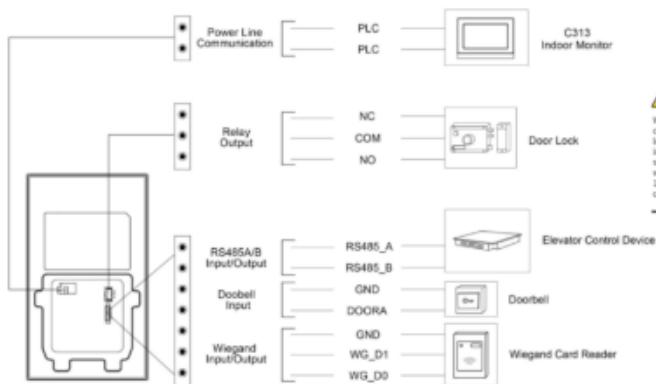
The PLC-S lead wire of NS-2 must be kept at least 5 cm away from the PLC-1~PLC-6 lead wire, otherwise the signal will loop back and the network cannot be used.



# C313-2 DEVICE WIRING

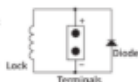


# R20A-2 DEVICE WIRING



## Warning

When you connect a device containing a coil, such as a relay or an electromagnetic lock, it is necessary to protect the inductors against voltage peaks when switching off the induction load. For this way of protection we recommend a diode 1 A / 200 V (included in the accessories) connected antiparallel to the device.



# CABLE SPECS & MAX DISTANCES



Cable Specification	Distance 1	Distance 2
24AWG	Max. 300m	Max. 200m
20AWG	Max. 300m	Max. 200m
18AWG	Max. 300m	Max. 200m

Click this button for more resources



[Back to Global Visions  
Akuvox Knowledge Base](#)

