

CB 05[®]

Datasheet



The following rights are reserved:

- Any unannounced changes to the functionality or appearance of this product will void the warranty.
- Use of this product in any environment or in any manner not specified herein will also void the warranty.

CB 05

NE

CB 05® is an RFID locker lock with software management and it has a random system version.



technical sheet

Material	Zinc Alloy
Technology	Mifare® [Classic ISO / iEC 14443-4]
Opening Method	Proximity
Power	DC 4,5v [AA*3]
Battery Lifetime	~ 8 months
Leds	Green and Red
Low Battery Alarm	3 Long tick before operation
Driving Consumption	260mA
Static Consumption	7µA
Open Time	7s
Number of openings	~ 2000 Openings [1 Year]
Software	Yes [SFT01 / iTEC Access]
Stand Alone	No
IP	IP 56
Recognition	0.5s
Weight	0,2 Kg
Resistance of Humidity	< 95%
Work Temperature	-20°C ~ +70°C
Storage Temperature	-40°C ~ +80°C
Data Collection	w/Software
Calendar	w/Software
Futur Access	w/Software
Recording Registres	w/Software ≥ 500
Blacklist Card	w/Software
Limit of Openings	w/Software
User Levels	with and w/o Software
Management Card	w/o Software
Door Thickness	16mm

key options

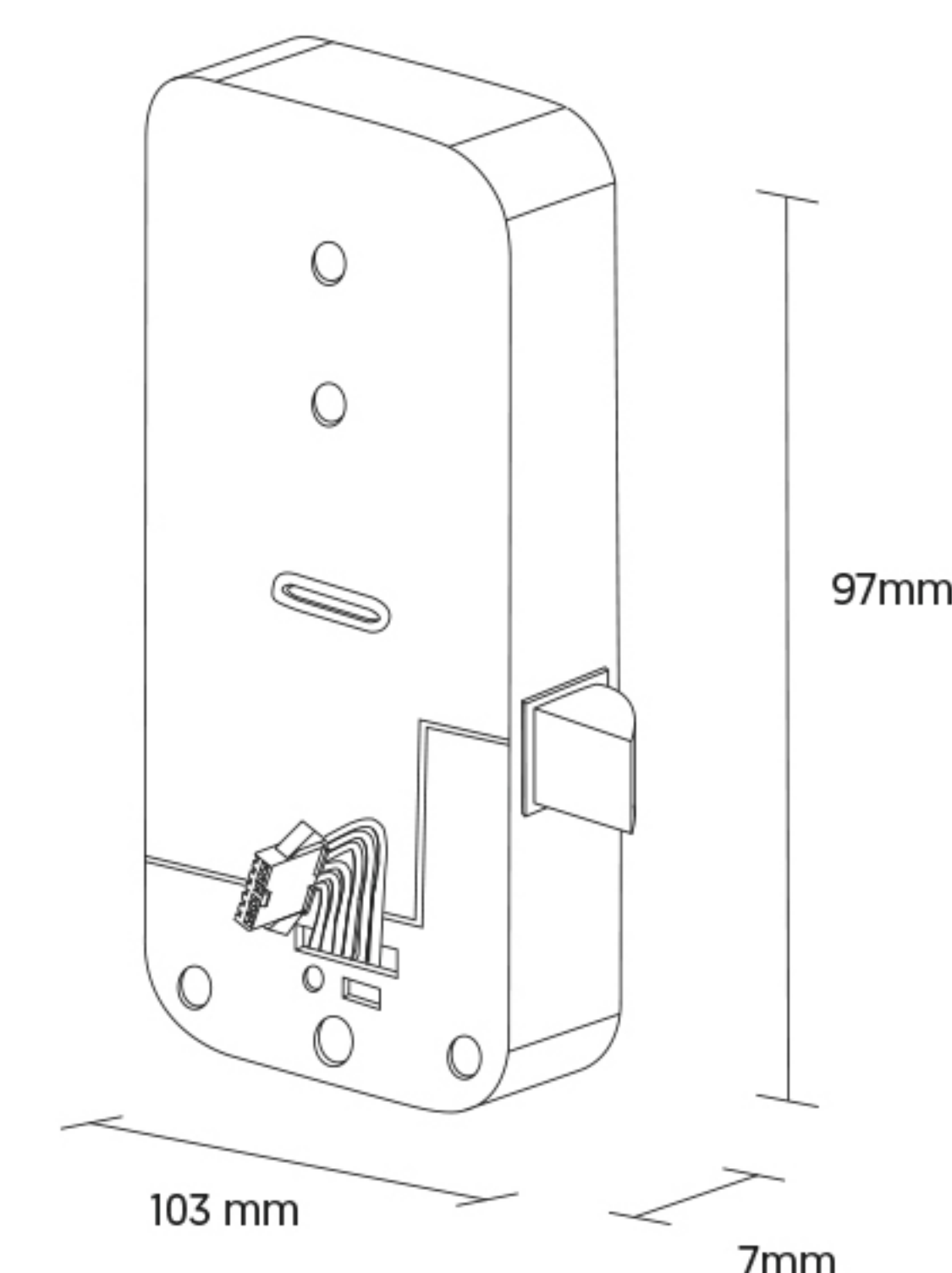
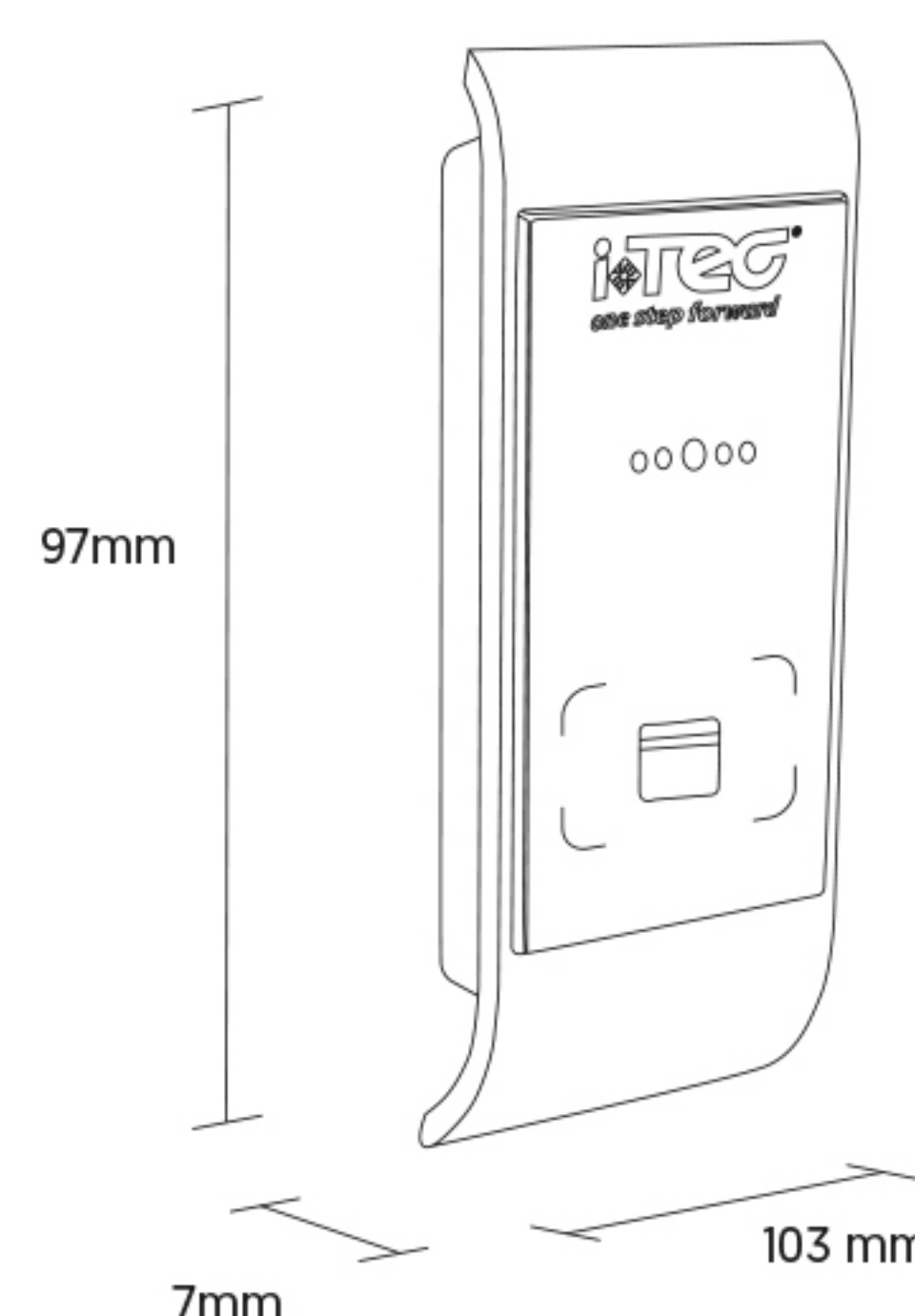
iCard [MF/TM]



iChip [MF/TM]



Bracelet [MF/TM]





Web: GlobalVisionsInc.com
Email: sales@GlobalVisionsInc.com
Phone: 877-725-8869