

iDuo-Pro®

Datasheet



The following rights are reserved:

- Any unannounced changes to the functionality or appearance of this product will void the warranty.
- Use of this product in any environment or in any manner not specified herein will also void the warranty.

iDuo-Pro®

 Z
E

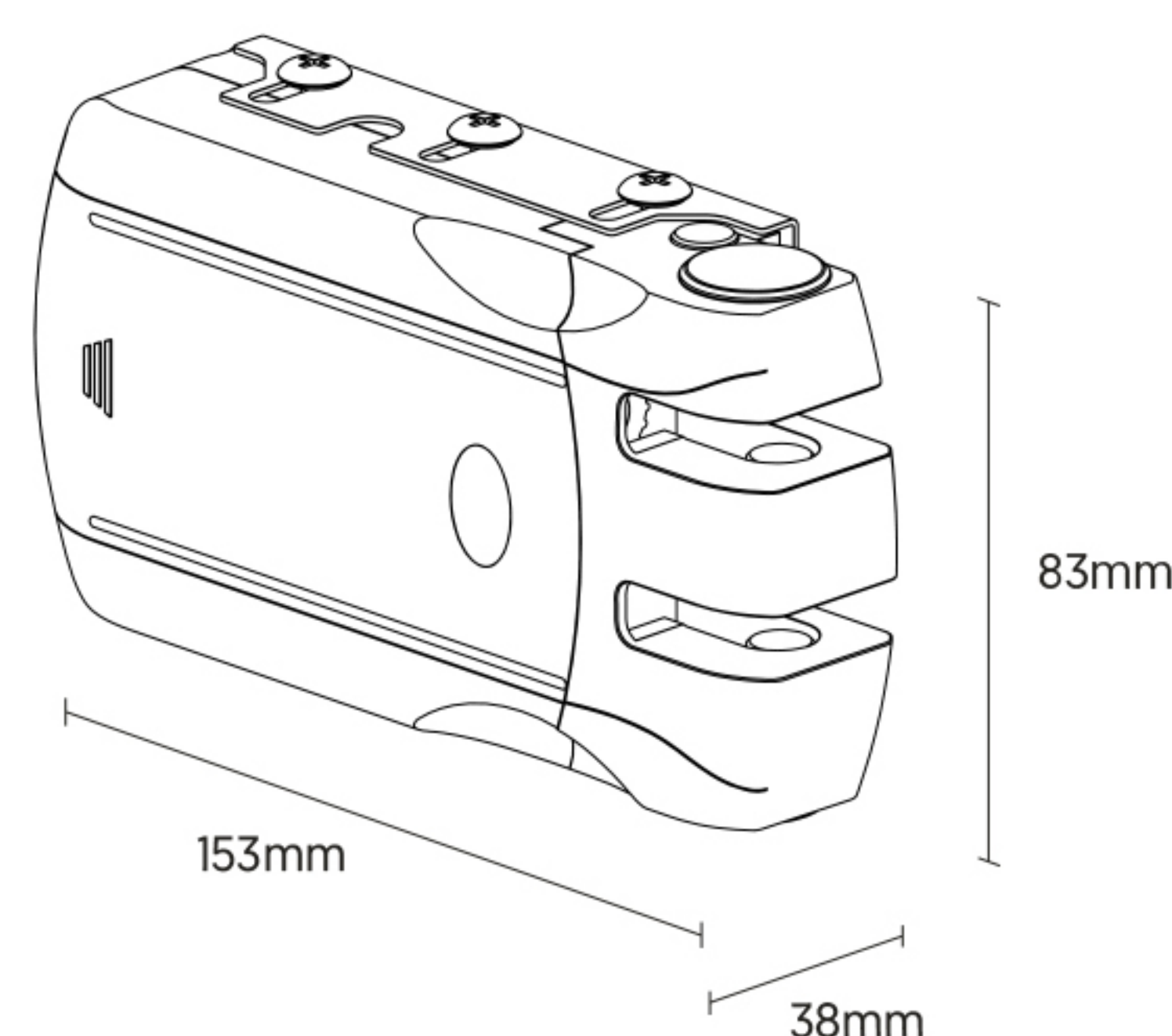
The iDuo-Lock® is an invisible lock that makes it difficult to break the door, works on any type of door. It is activated by remote control through the iDuo-Hub®. Can be controlled via the APP on a mobile device or through the iDuo-Bio®. It has opening, closing and low battery alert.



technical sheet

Material	Metal Alloy and ABS
Opening Method	Remote control, touch
Identification Time	<5.0S
Communication	433Mhz [+/- 500Khz]
Cylinder	N/A
Compatibility with Locks	N/A
Emergency Power	Jack 3.5mm/AC
Emergency Opening	N/A
Voltage	DC 3v [AA*2]
Max. Power	3V-MAX
Battery Life	~ 6 months, supports ~ 2,000 opening & closing operations
Leds	N/A
Low Battery Alarm	1 bip
Consumption	<150mA
Static Consumption	6µA
Time Open	Still
Number of Openings	~2,000 Openings [6months]
Software	N/A
APP's	iTEC IoT
Compatibility	iOS 8/Android 5 or above
Stand Alone	Yes
IP	N/A
Weight	0,54 Kg
Humidity Resistance	30%-95%
Temp. of Operation	-10°C~+ 45°C
Nº of Cards	N/A
Nº of Codes	N/A
Nº of Autodefined Codes	N/A
Nº of Fingerprints	N/A
User Levels	N/A
Management Code	N/A
Door Thickness	N/A
Remote control number	<15

dimensions



Nº de comandos	Até 15 unidades*
Energia	CR 2032 [3V]
Ciclo de vida	+/- 6m
APP	iTEC / IoT [opção]



Web: GlobalVisionsInc.com
Email: sales@GlobalVisionsInc.com
Phone: 877-725-8869