

# CB 10<sup>®</sup>

---

## Datasheet



The following rights are reserved:

- Any unannounced changes to the functionality or appearance of this product will void the warranty.
- Use of this product in any environment or in any manner not specified herein will also void the warranty.

# CB 10®

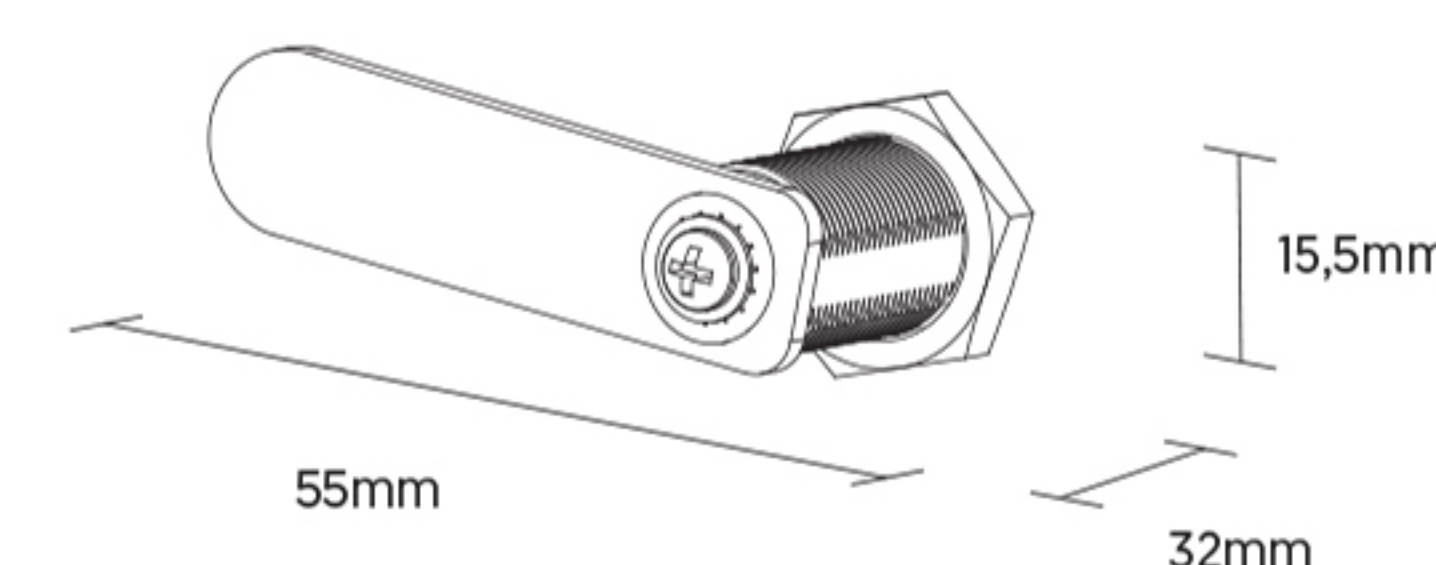
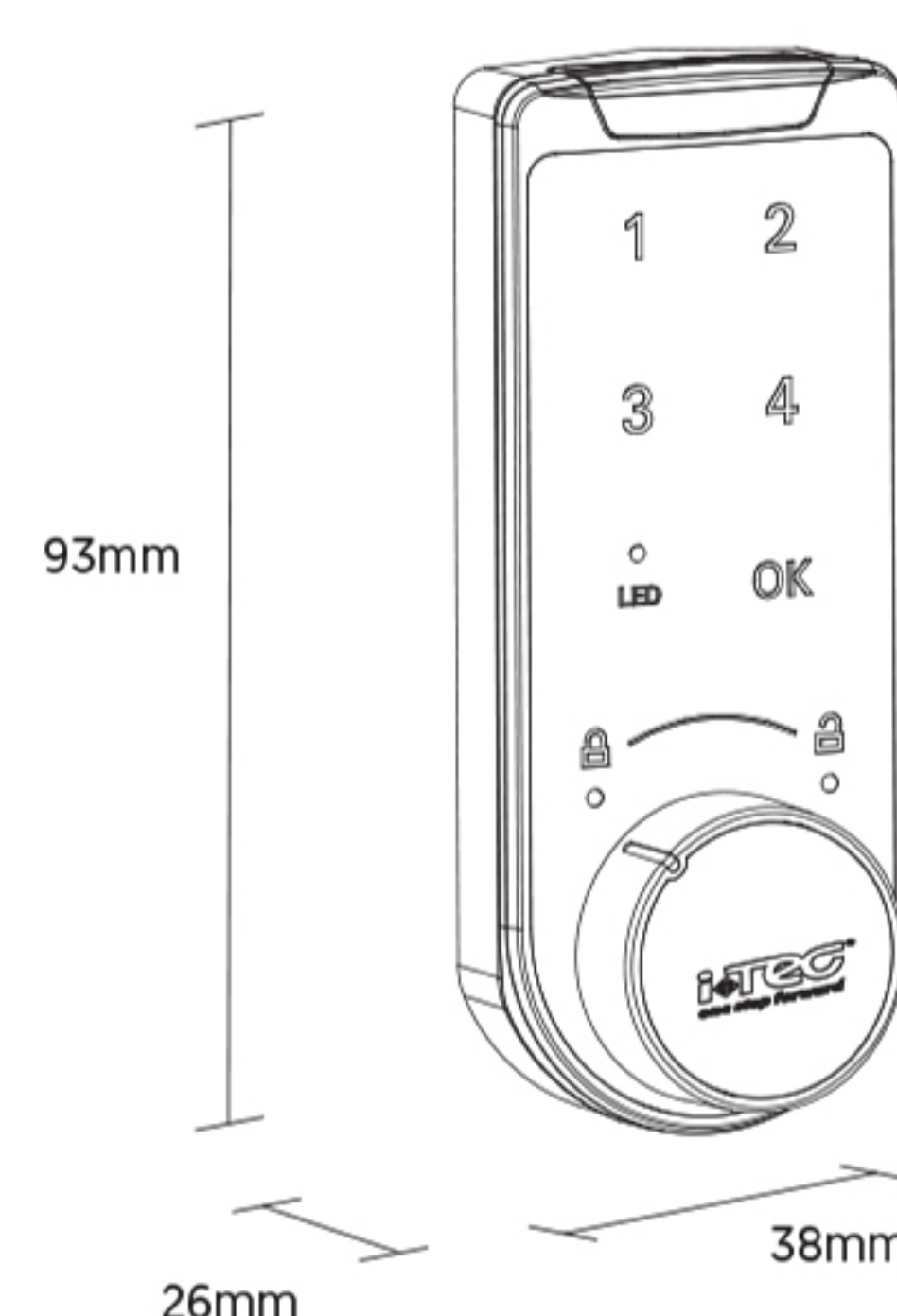
NE

CB 10® is a Standalone lock designed for lockers and is unlocked by entering a PIN code. The random operation version of the CB 10® offers the functionality of keeping the lock open after the locker has been used until a new user locks it.



## technical sheet

Material	ABS
Opening Method	Code
Power	DC 4,5v [AA*3]
Battery Lifetime	~ 12 months
Leds	Yes
Low Battery Alarm	3 Long tick before operation
Driving Consumption	260mA
Static Consumption	7µA
Open Time	7s
Number of openings	~ 2000 Openings [1 Year]
Software	No
Stand Alone	Yes
IP	IP44
Recognition	0.5s
Weight	0,2 Kg
Resistance of Humidity	< 95%
Work Temperature	-20°C ~ +70°C
Storage Temperature	-40°C ~ +80°C
Door Thickness	0,3mm to 20mm





**Web:** [GlobalVisionsInc.com](http://GlobalVisionsInc.com)  
**Email:** [sales@GlobalVisionsInc.com](mailto:sales@GlobalVisionsInc.com)  
**Phone:** 877-725-8869