

CB 04[®]

Datasheet



The following rights are reserved:

- Any unannounced changes to the functionality or appearance of this product will void the warranty.
- Use of this product in any environment or in any manner not specified herein will also void the warranty.

CB 04®

NE

CB 04® is a Standalone locker lock, open through a smart button technology or PIN code.



technical sheet

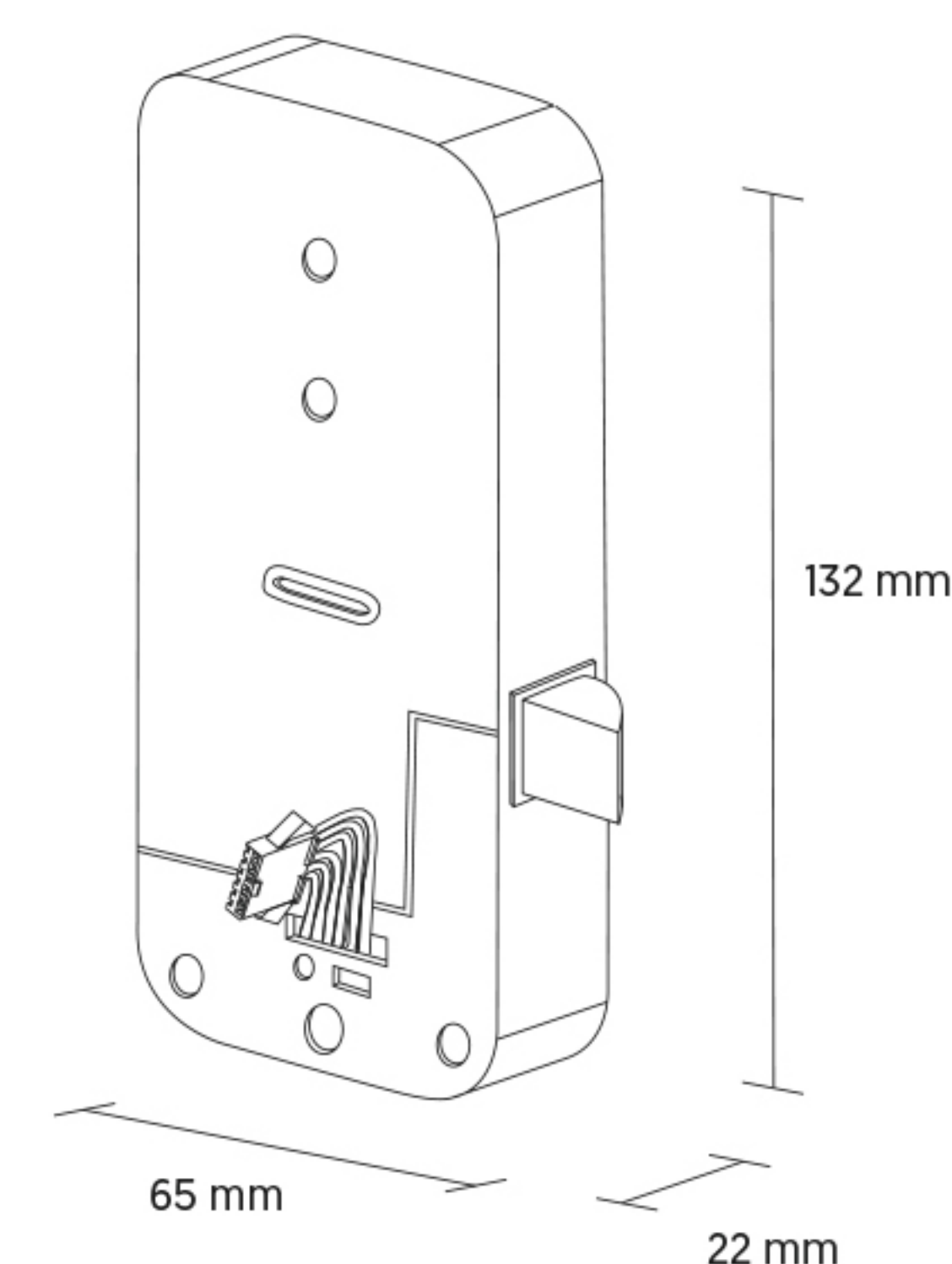
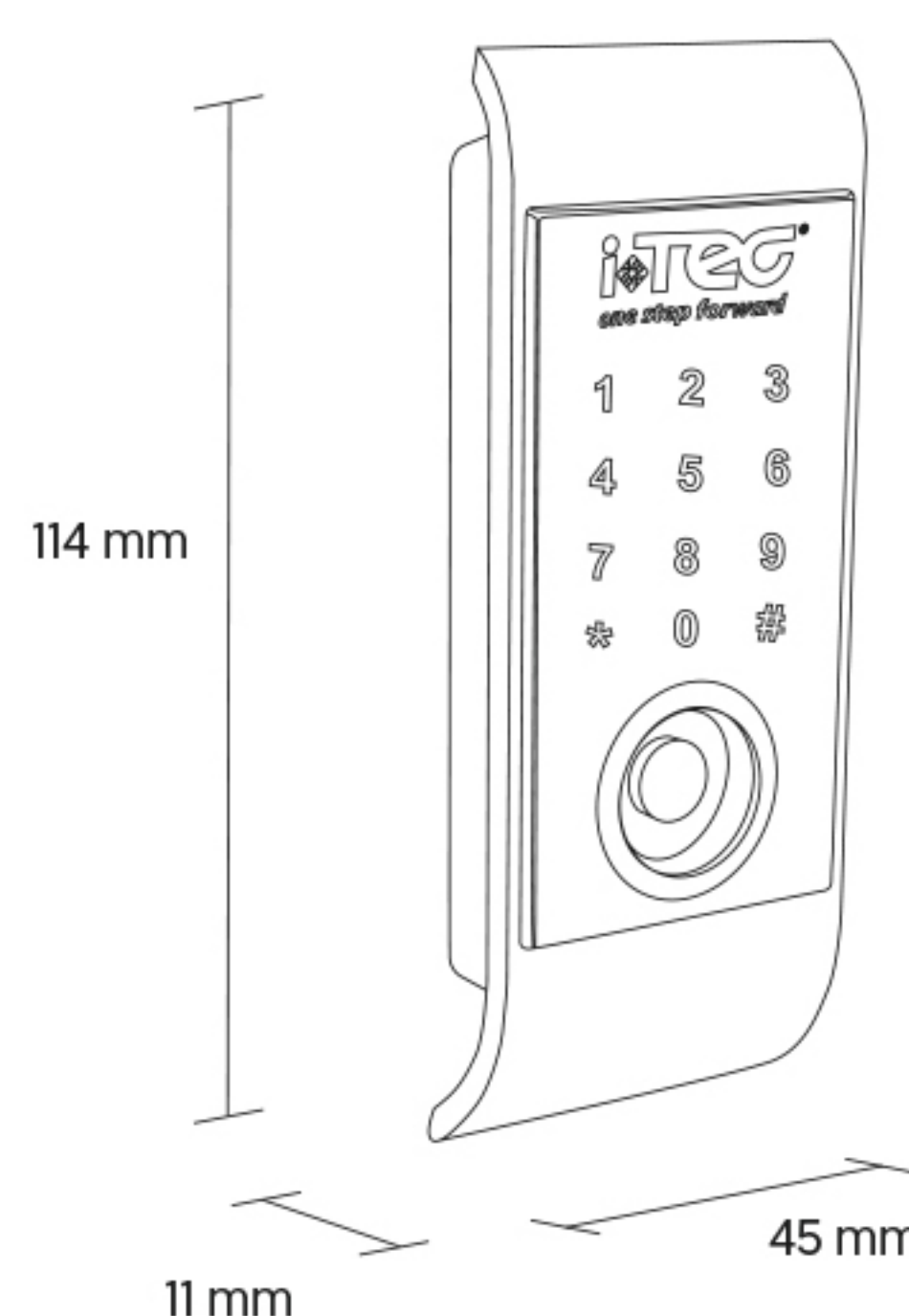
Material	Zinc Alloy
Opening Method	Smart Button/Pin Code
Power	DC 4,5v [AA*3]
Battery Lifetime	~ 8 months
Leds	Red
Low Battery Alarm	3 Long tick before operation
Driving Consumption	260mA
Static Consumption	7µA
Open Time	7s
Number of openings	~ 2000 Openings [1 Year]
Software	No
Stand Alone	Yes
IP	IP44
Reading Distance	Touch
Recognition	0.5s
Weight	0,2 Kg
Resistance of Humidity	< 95%
Work Temperature	-20°C ~ +70°C
Storage Temperature	-40°C ~ +80°C
Door Thickness	16mm

key options

Keyring



Bracelet





Web: GlobalVisionsInc.com
Email: sales@GlobalVisionsInc.com
Phone: 877-725-8869