

**Applicable Model**

S539

**Drawing Title**

Intercom Panel

**Drawing Unit**

mm

**Drawing Scale**

Not to scale

**DRAFT  
SUBJECT TO  
CHANGE**

**Last Revised**

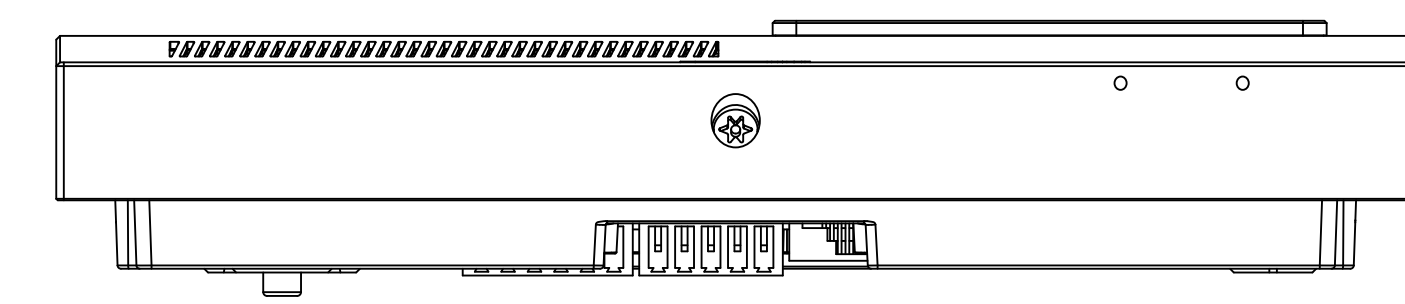
Oct 18,2022

**Drawing Version**

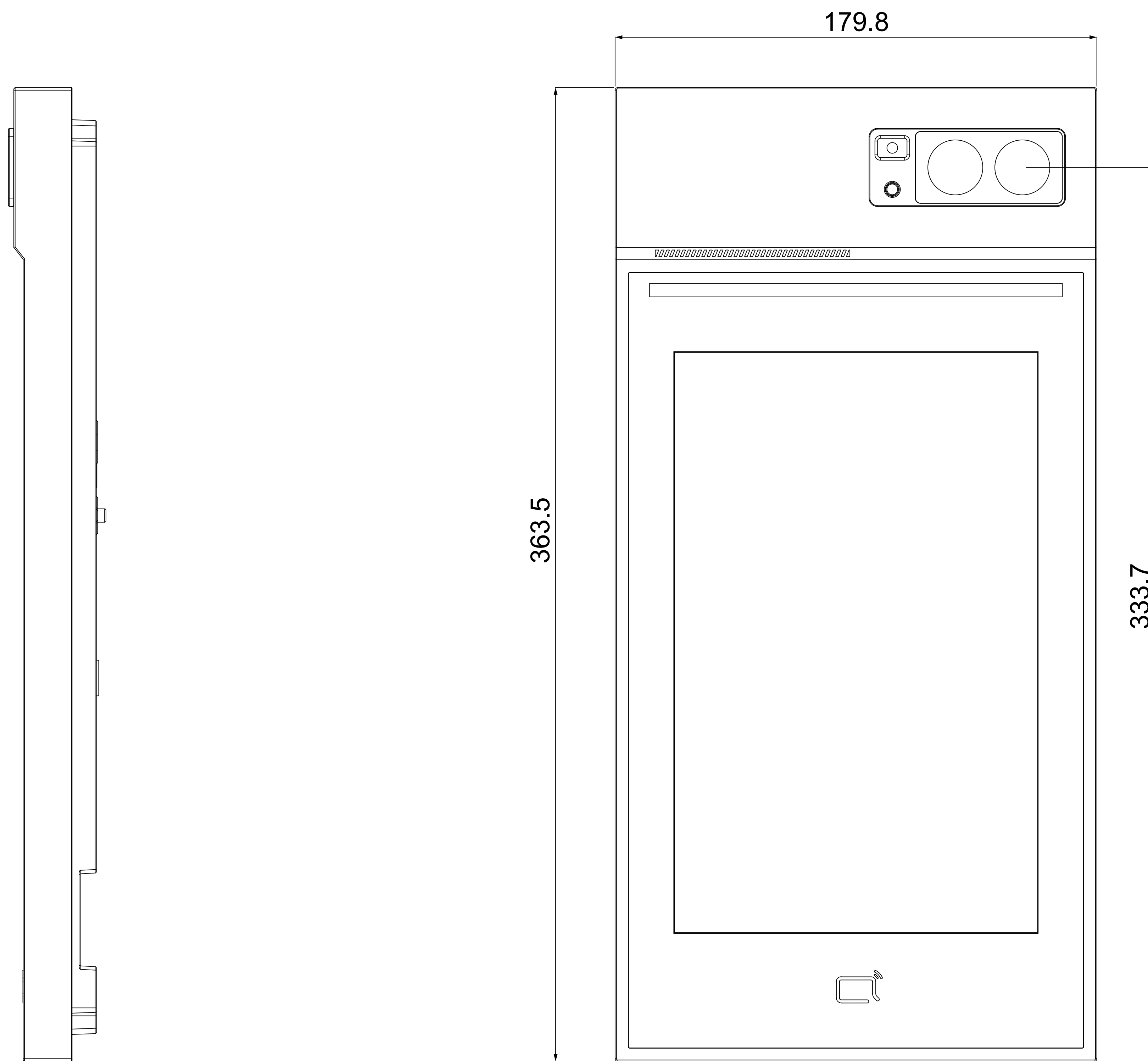
V1.0

**Page**

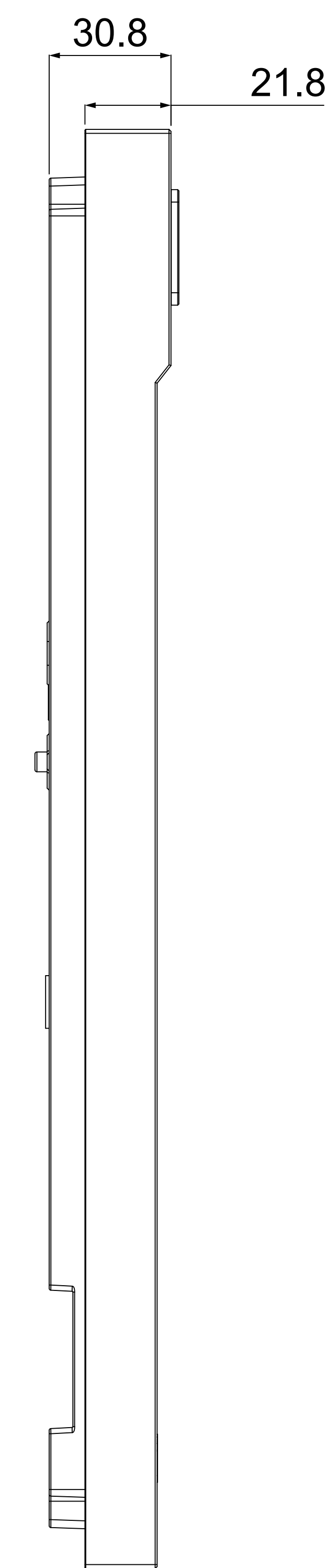
1 of 3



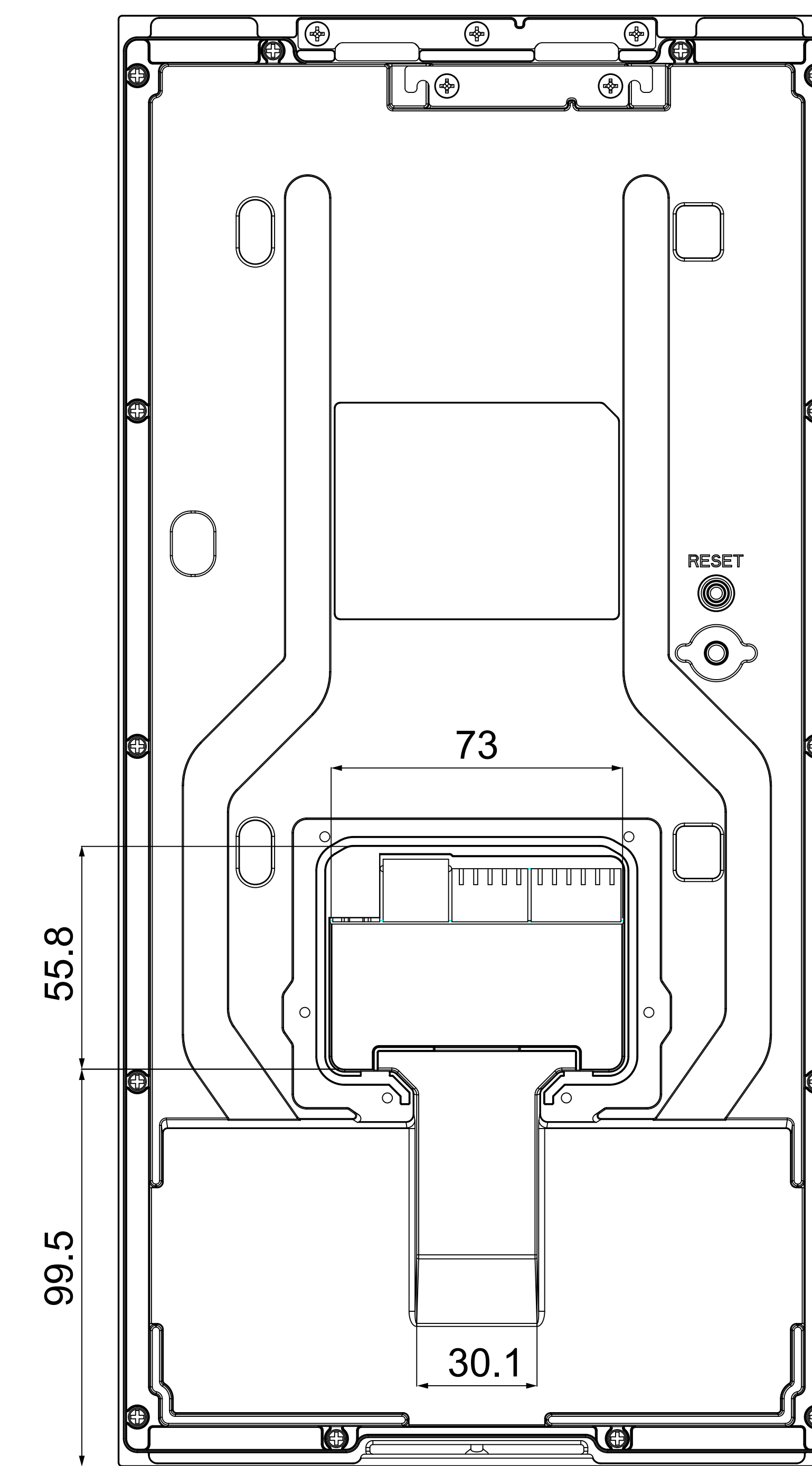
6 **BOTTOM VIEW**



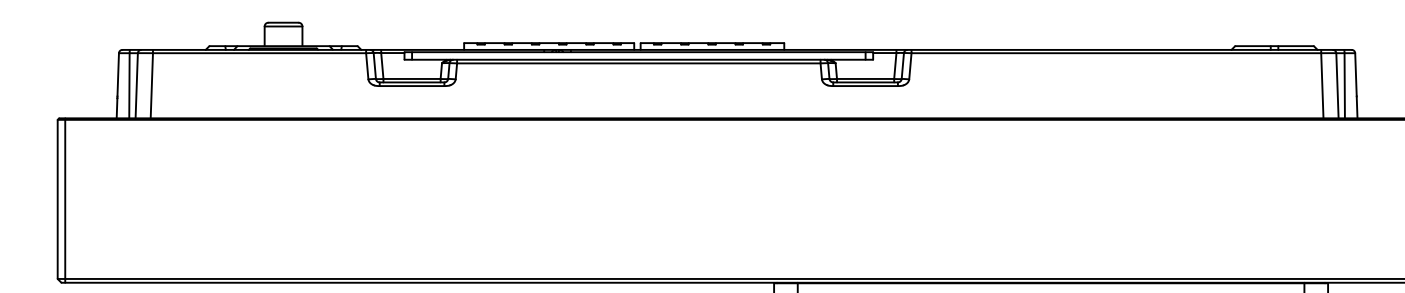
1 **FRONT VIEW**



3 **LEFT VIEW**



4 **BACK VIEW**



5 **TOP VIEW**

2 **RIGHT VIEW**

**Applicable Model**

S539

**Drawing Title**

Wall Mounting Bracket

**Drawing Unit**

mm

**Drawing Scale**

Not to scale

**DRAFT  
SUBJECT TO  
CHANGE**

**Last Revised**

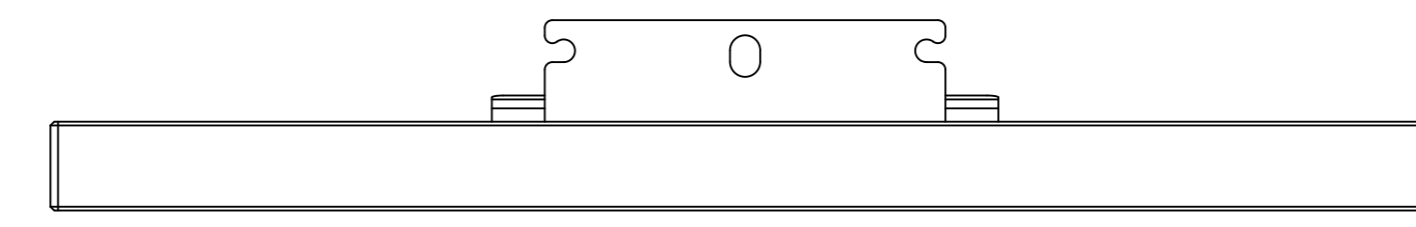
Oct 18,2022

**Drawing Version**

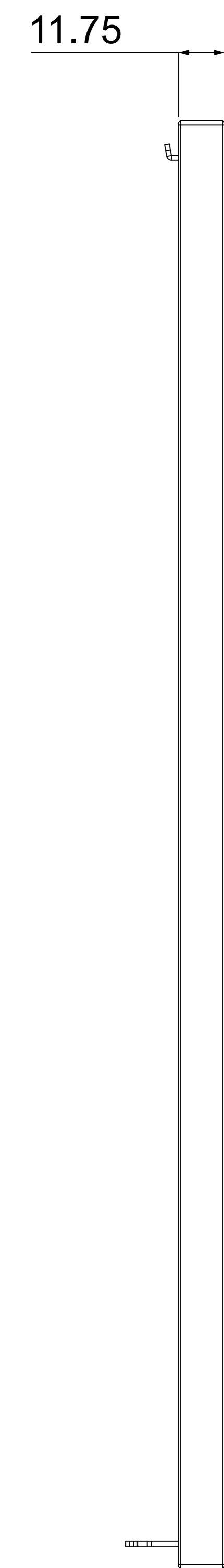
V1.0

**Page**

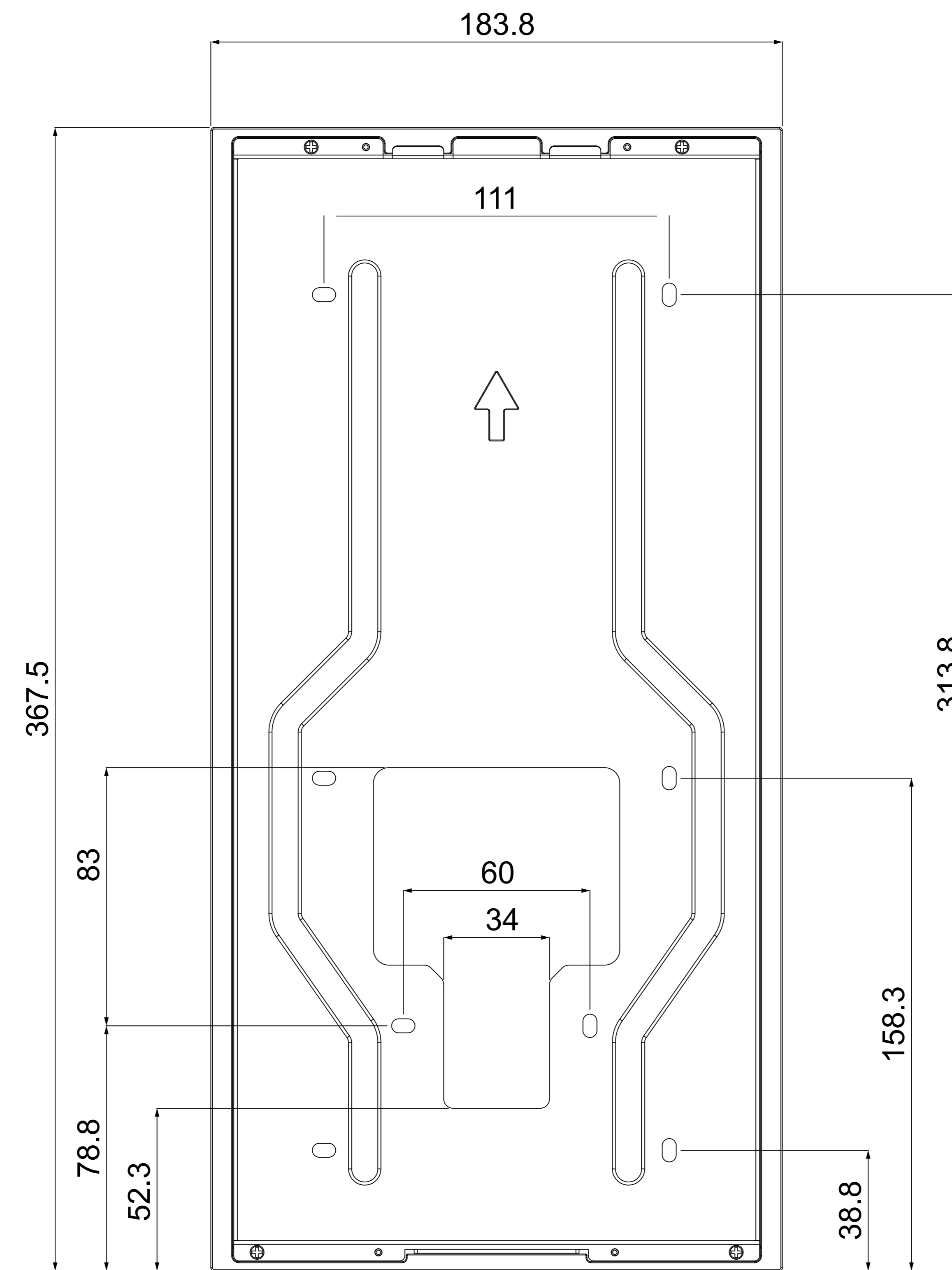
2 of 3



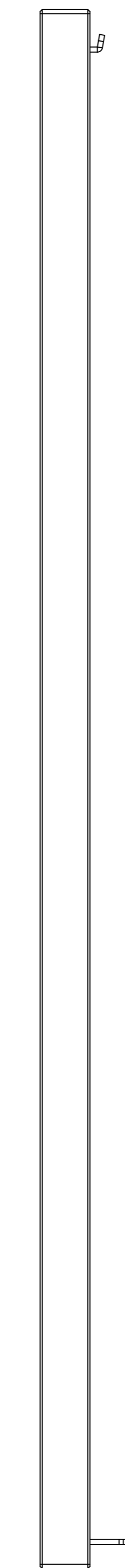
6 **BOTTOM VIEW**



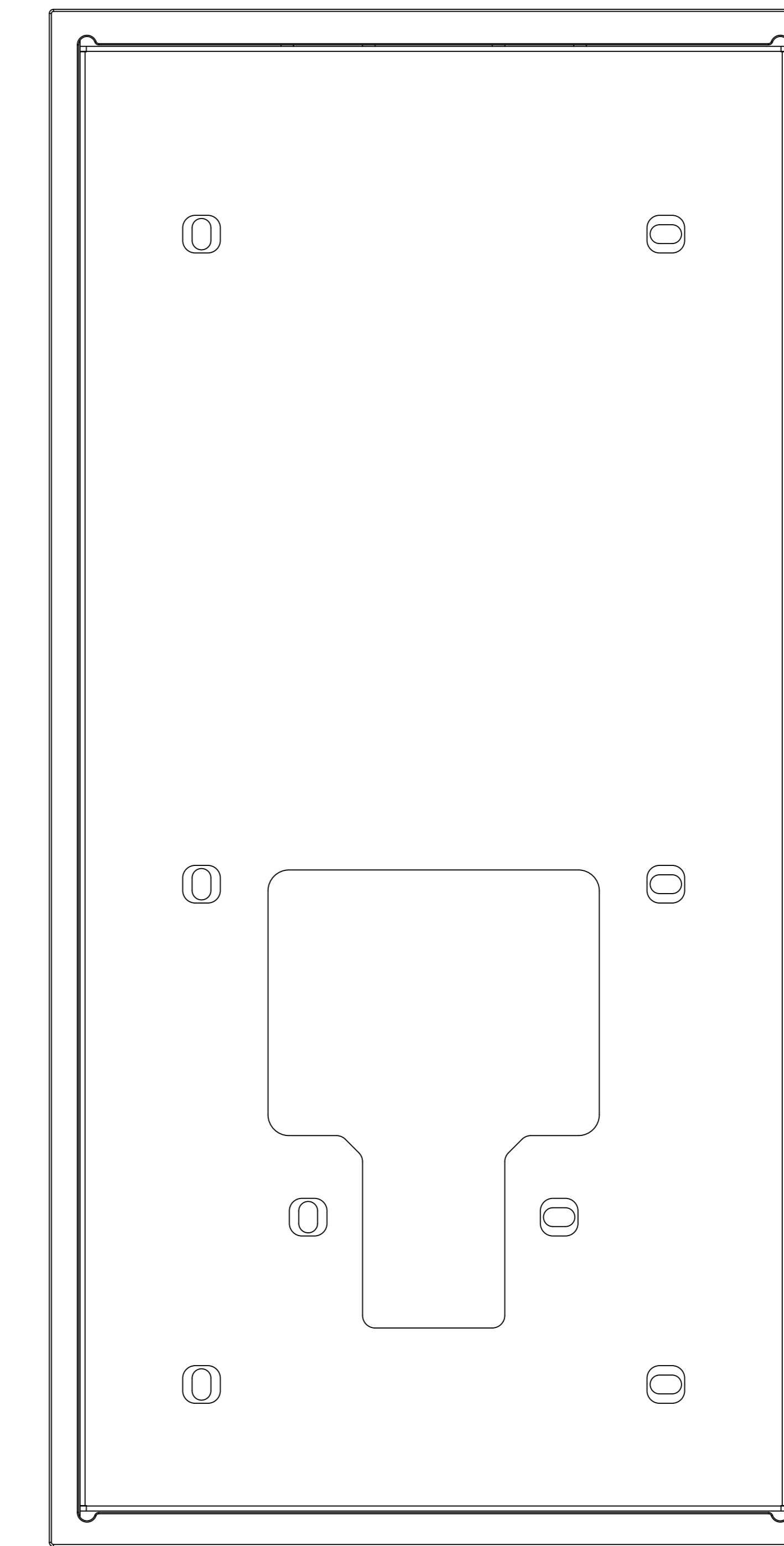
2 **RIGHT VIEW**



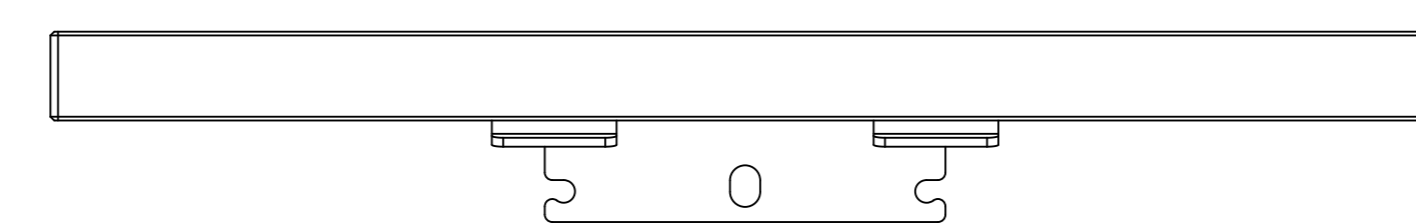
1 **FRONT VIEW**



3 **LEFT VIEW**



4 **BACK VIEW**



5 **TOP VIEW**

**Applicable Model**

S539

**Drawing Title**

Placement

**Drawing Unit**

mm

**Drawing Scale**

Not to scale

**DRAFT  
SUBJECT TO  
CHANGE**

**Last Revised**

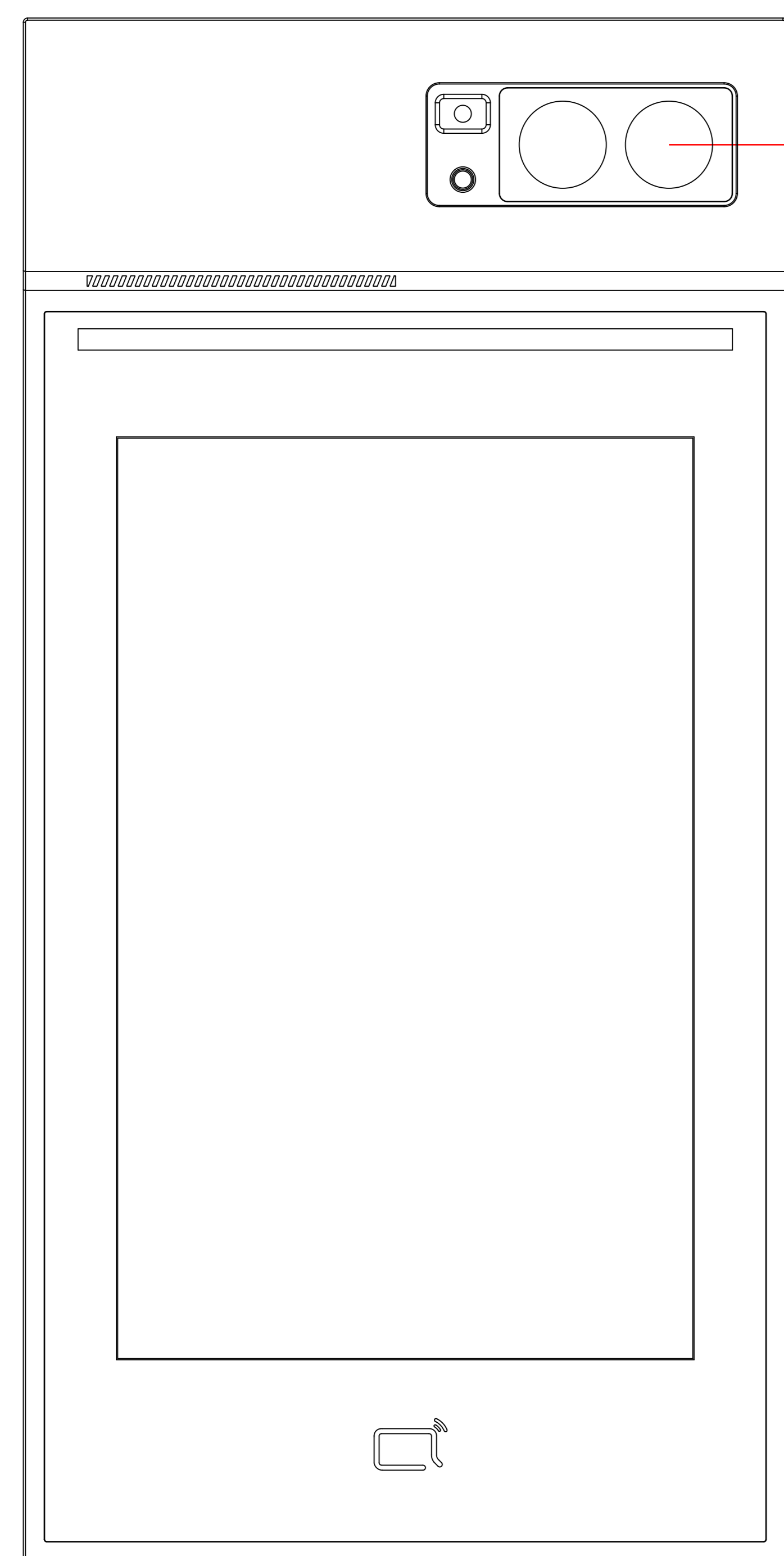
Oct 18,2022

**Drawing Version**

V1.0

**Page**

3 of 3



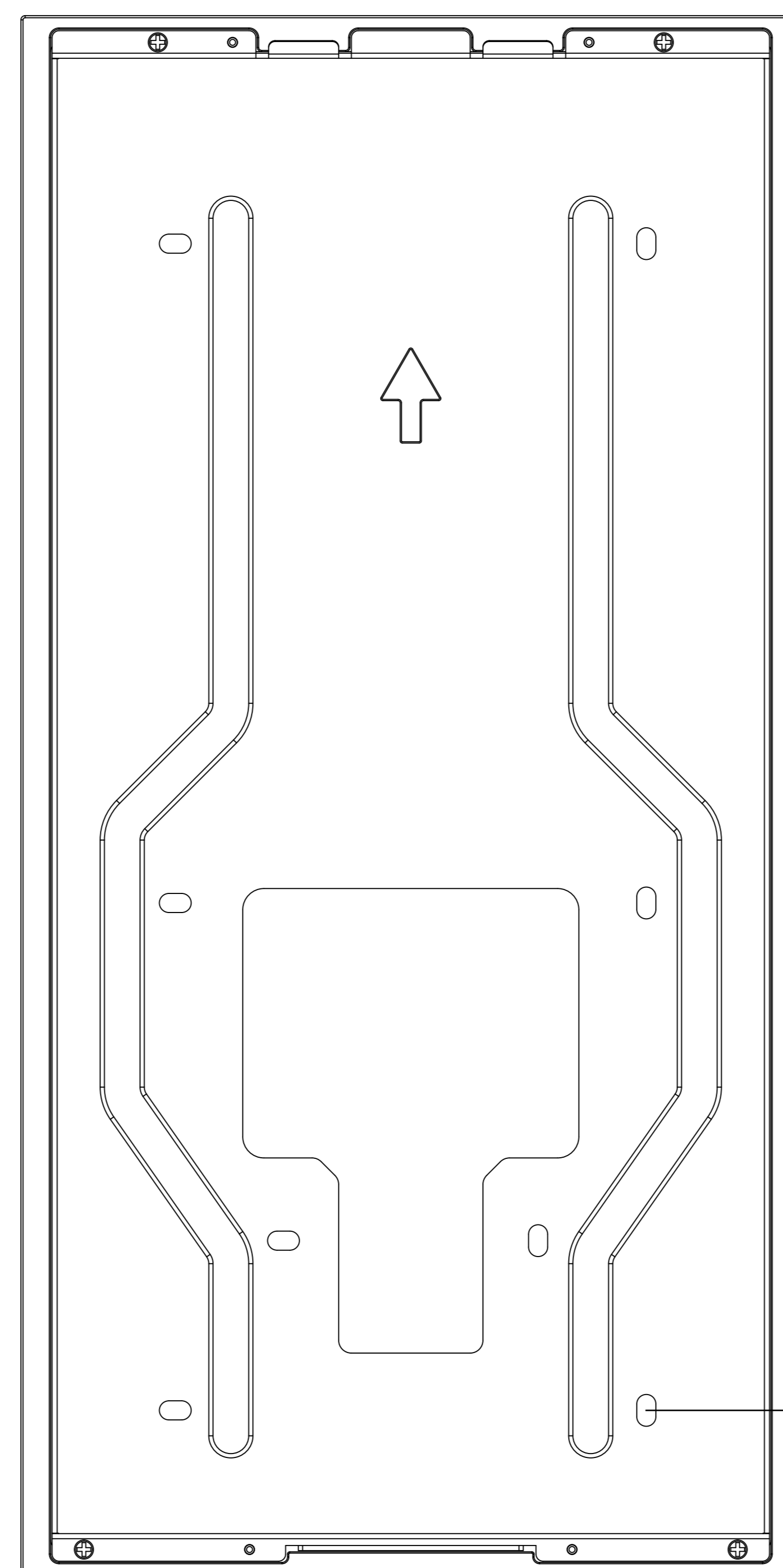
① INTERCOM PANEL FRONT VIEW

1066mm TO BOTTON OF PANEL

1400mm TO CENTER OF CAMERA

**ADA Compliance Requirement**

**GROUND**

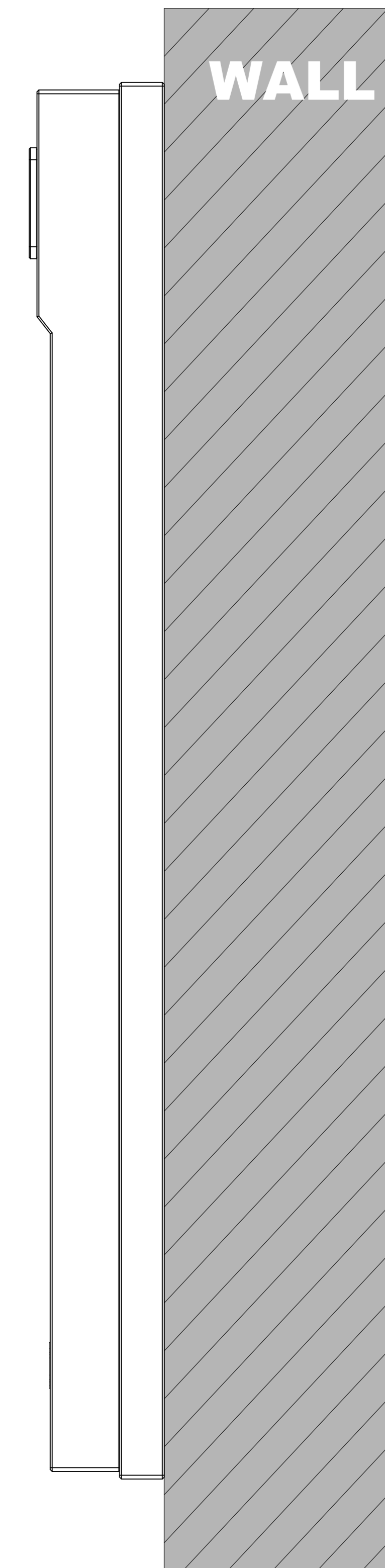


② BRACKET PLACEMENT

1064mm TO BOTTON OF BRACKET

1103mm TO SCREW HOLE CENTER OF BRACKET

**GROUND**



③ SIDE VIEW:INTERCOM ON WALL

**WALL**

**Applicable Model**

S539

**Drawing Title**

Flush Mounting Box

**Drawing Unit**

mm

**Drawing Scale**

Not to scale

**DRAFT  
SUBJECT TO  
CHANGE**

**Last Revised**

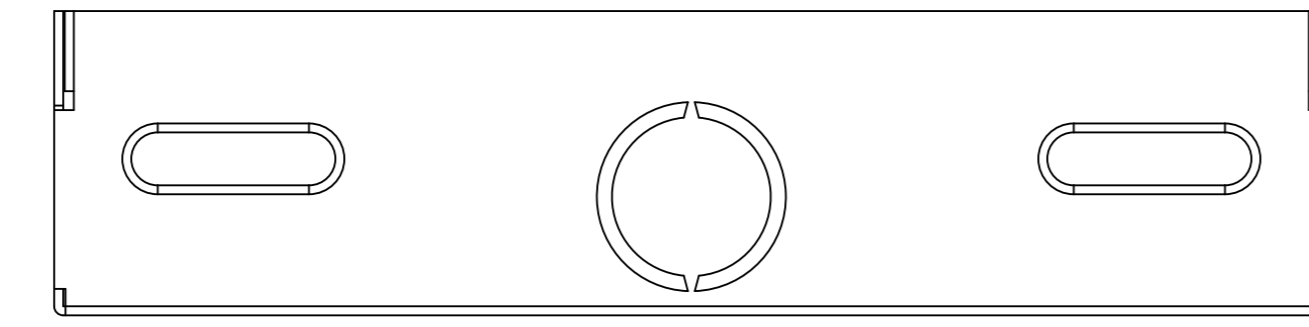
Oct 18,2022

**Drawing Version**

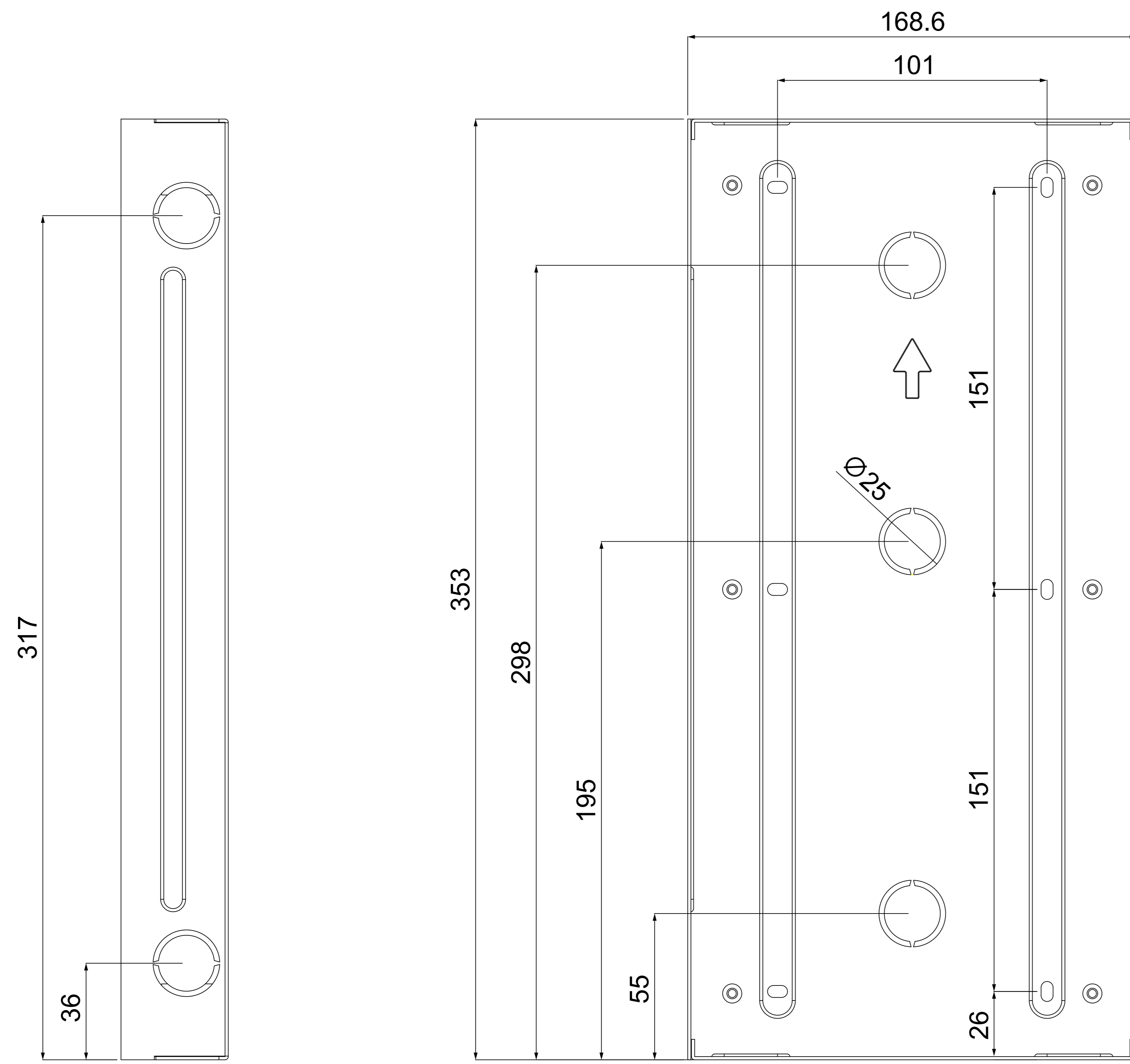
V1.0

**Page**

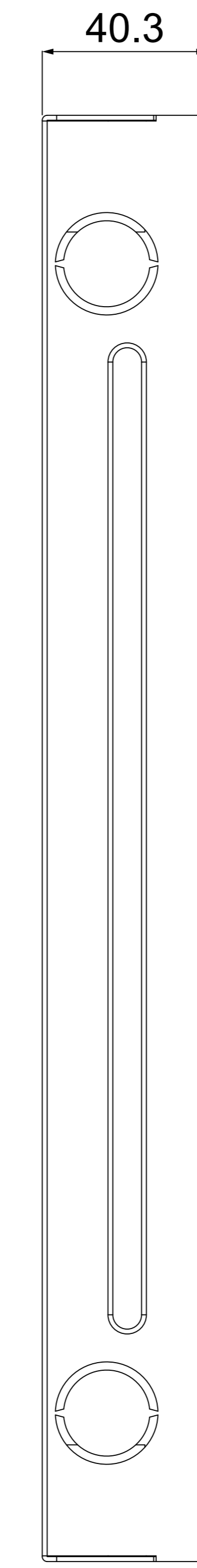
2 of 3



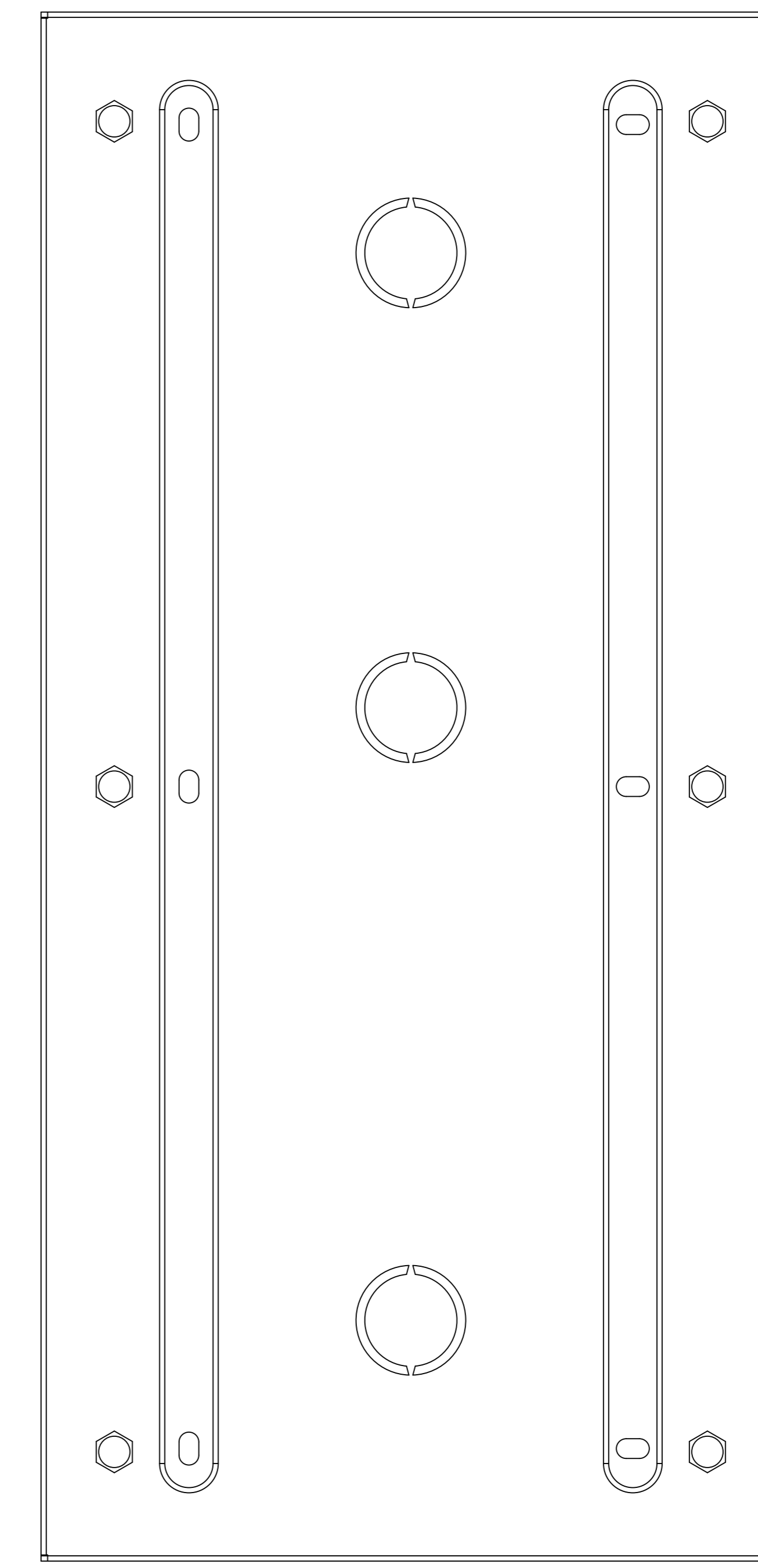
6 **BOTTOM VIEW**



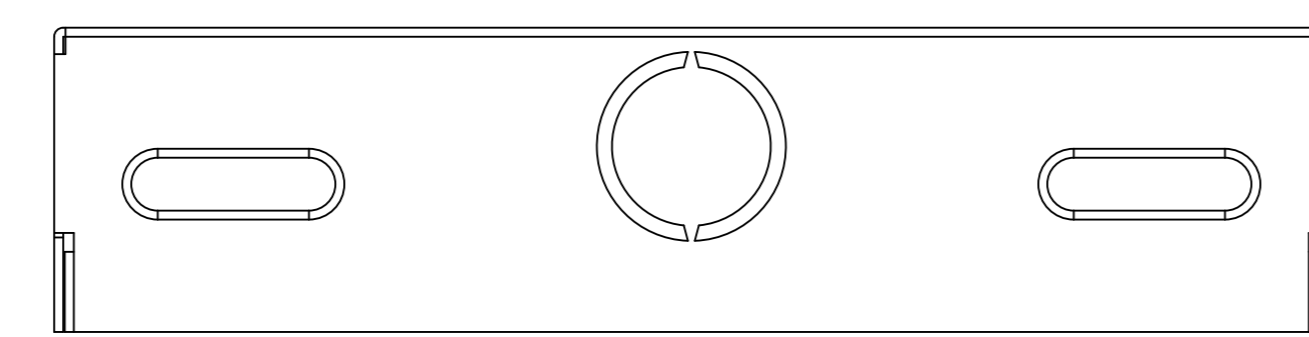
1 **FRONT VIEW**



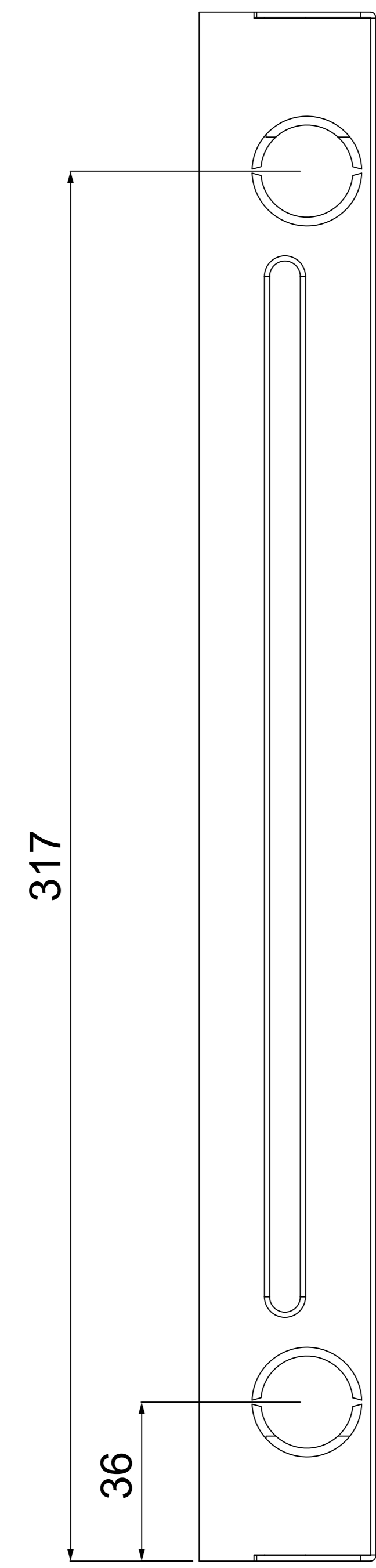
3 **LEFT VIEW**



4 **BACK VIEW**



5 **TOP VIEW**



2 **RIGHT VIEW**

**Applicable Model**

S539

**Drawing Title**

Placement

**Drawing Unit**

mm

**Drawing Scale**

Not to scale

**DRAFT  
SUBJECT TO  
CHANGE**

**Last Revised**

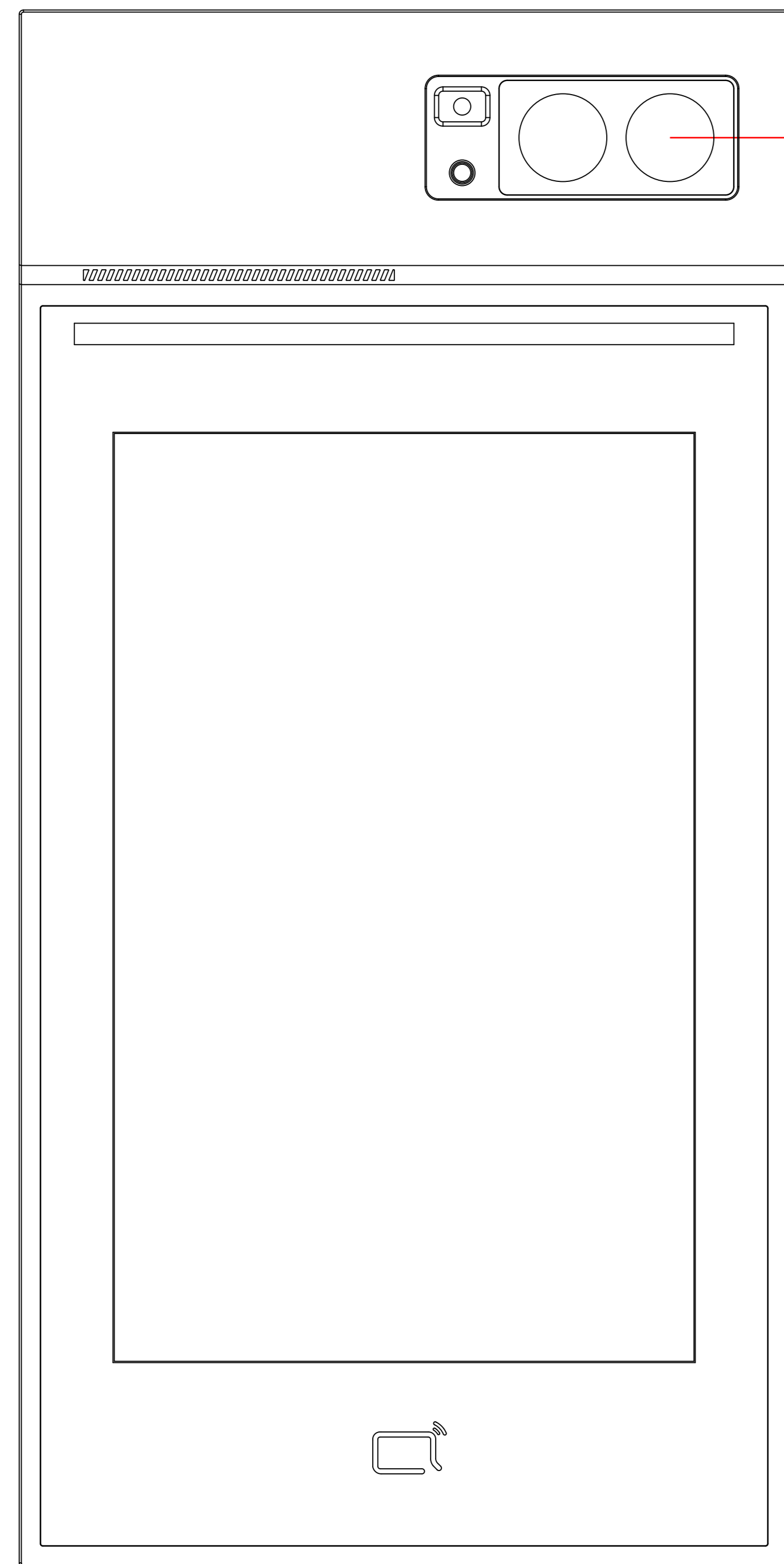
Oct 18,2022

**Drawing Version**

V1.0

**Page**

3 of 3



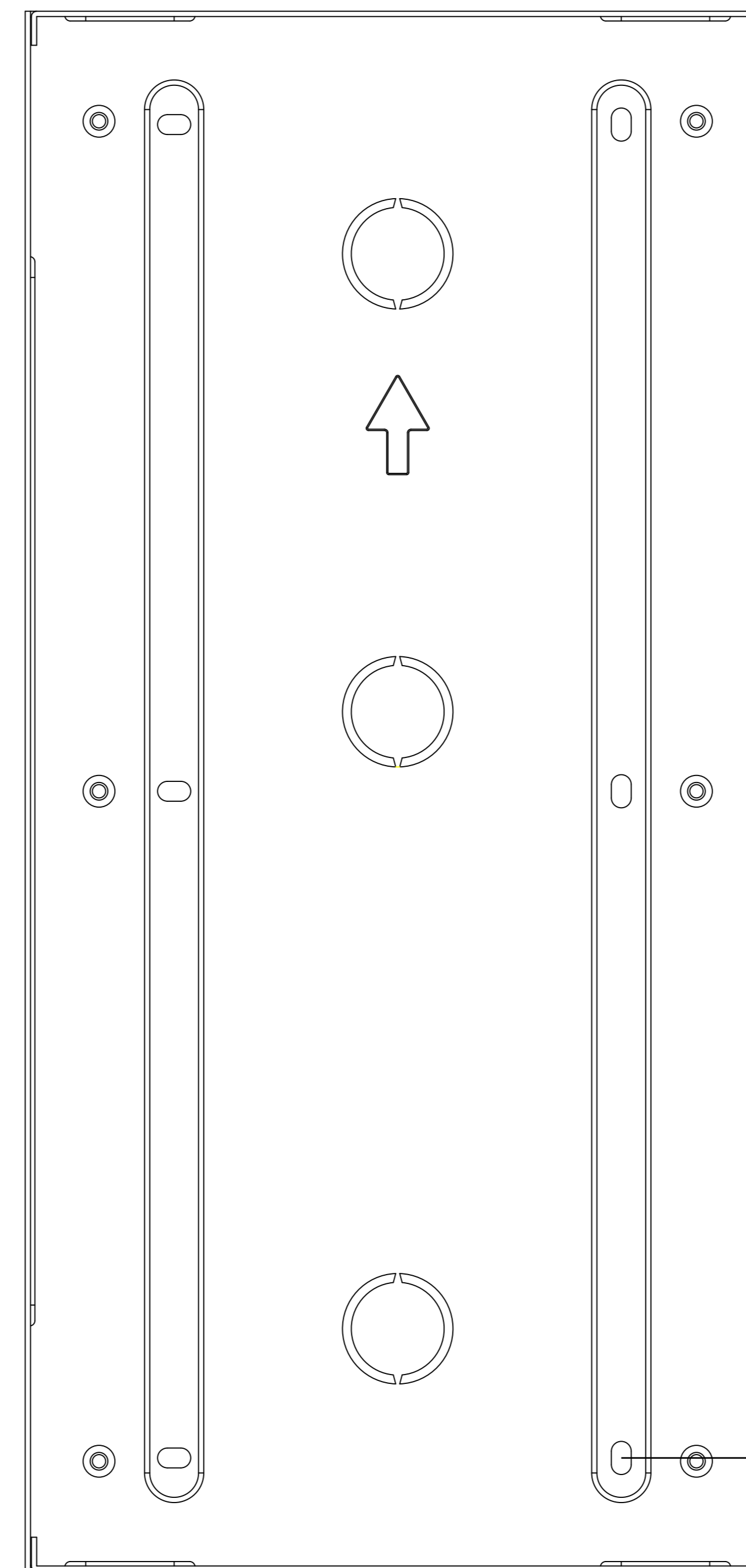
① INTERCOM PANEL FRONT VIEW

1066mm TO BOTTON OF PANEL

1400mm TO CENTER OF CAMERA

**ADA Compliance Requirement**

**GROUND**

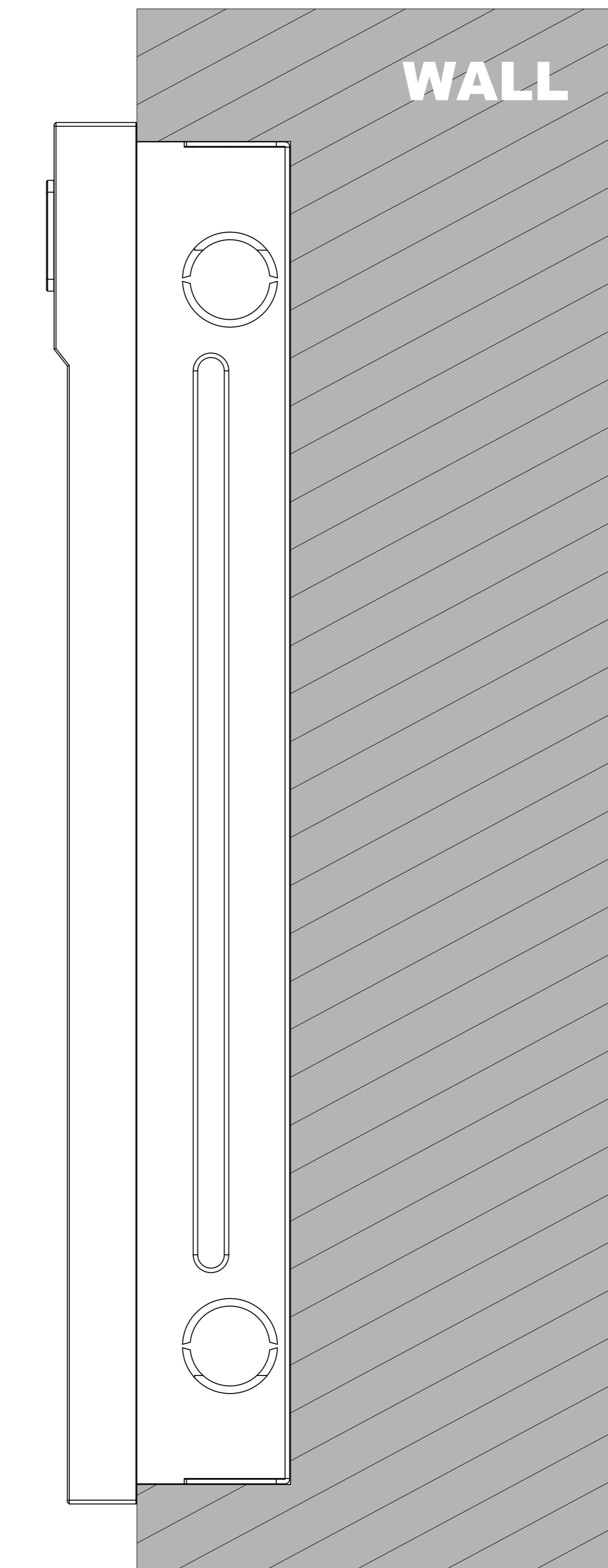


② BRACKET PLACEMENT

1072mm TO BOTTON OF BRACKET

1098mm TO SCREW HOLE CENTER OF BRACKET

**GROUND**



③ SIDE VIEW:INTERCOM IN WALL

**WALL**