

**Applicable Model**

S563

**Drawing Title**

Indoor Monitor Panel

**Drawing Unit**

mm

**Drawing Scale**

Not to scale

**DRAFT  
CHANGE TO  
SUBJECT**

**Last Revised**

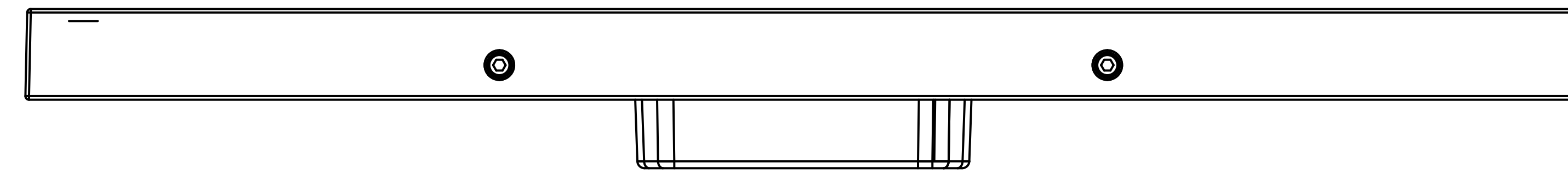
Nov 27, 2023

**Drawing Version**

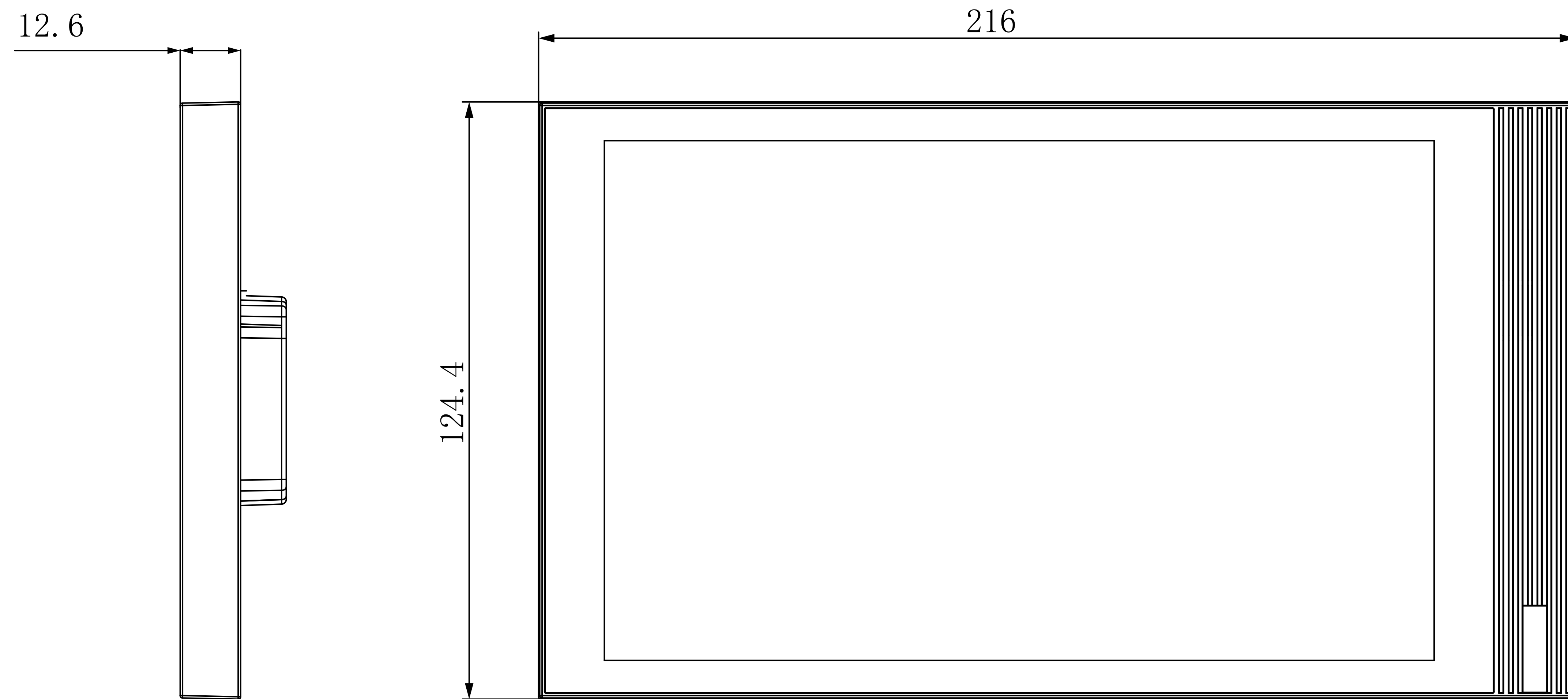
V1.0

**Page**

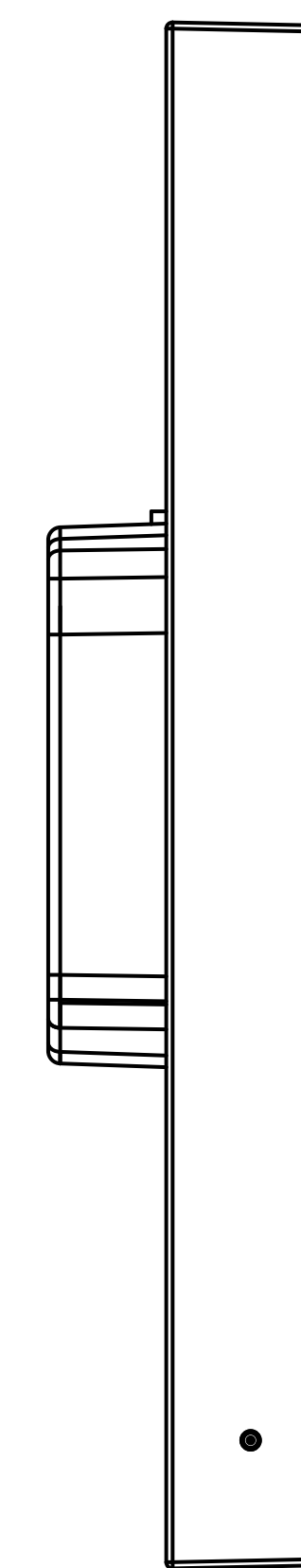
1 of 3



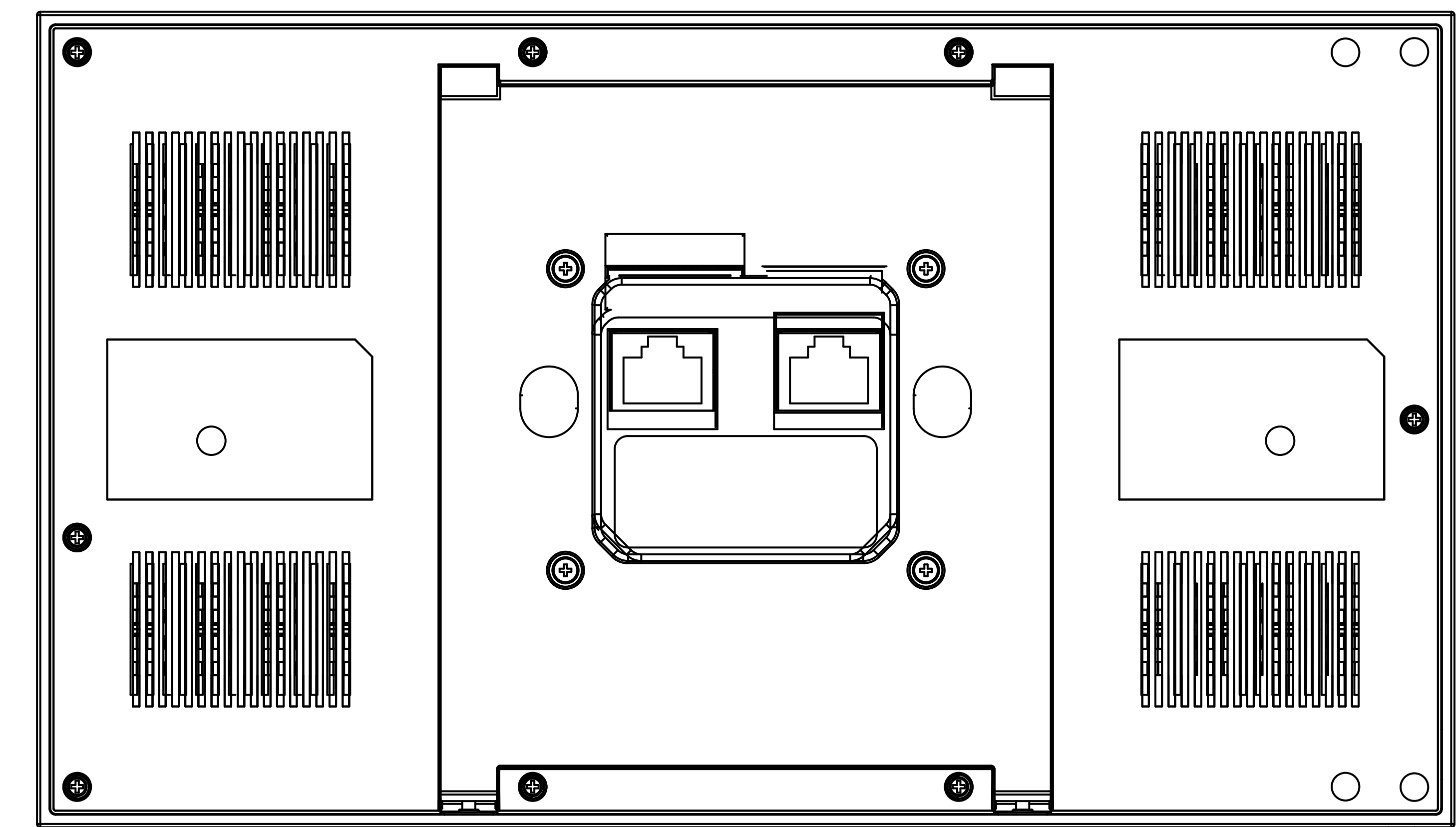
⑥ **BOTTOM VIEW**



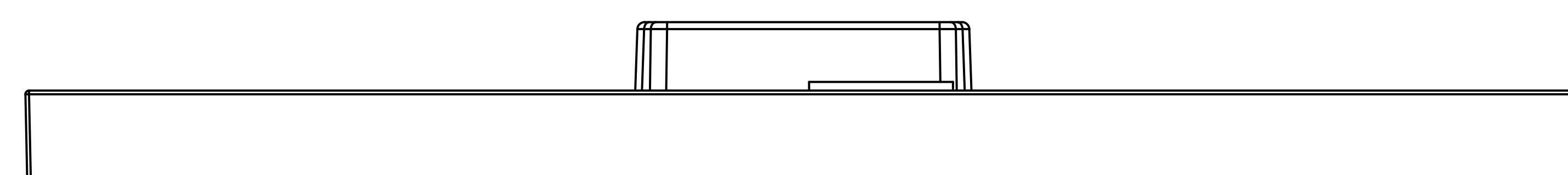
① **FRONT VIEW**



③ **LEFT VIEW**



④ **BACK VIEW**



⑤ **TOP VIEW**

② **RIGHT VIEW**

**Applicable Model**

S563

**Drawing Title**

Wall Mounting Bracket

**Drawing Unit**

mm

**Drawing Scale**

Not to scale

**DRAFT  
SUBJECT TO  
CHANGE**

**Last Revised**

Nov 27, 2023

**Drawing Version**

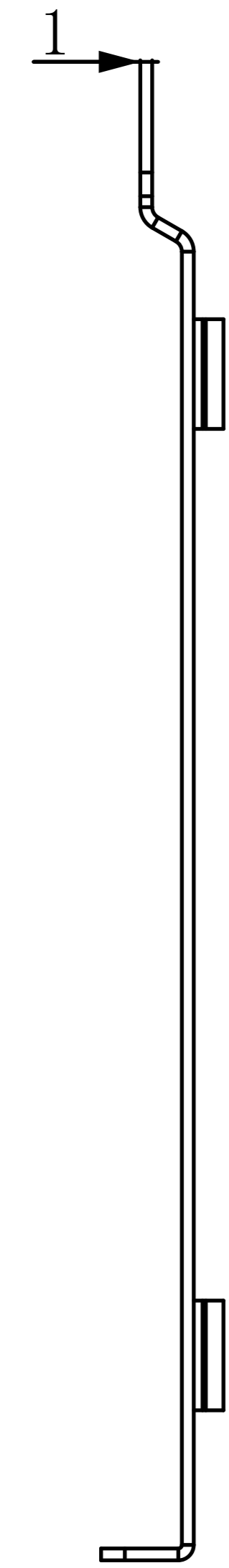
V1.0

**Page**

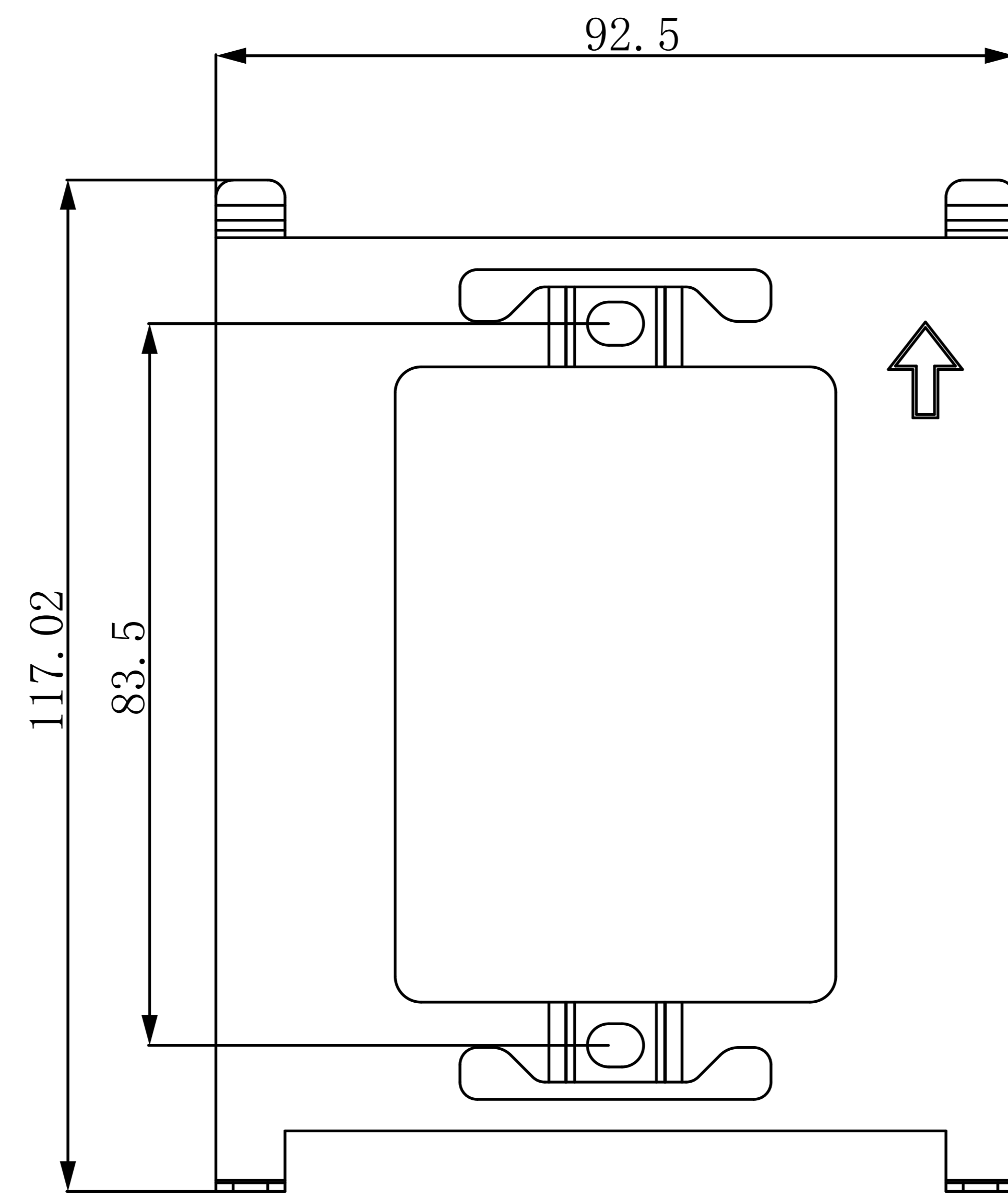
2 of 3



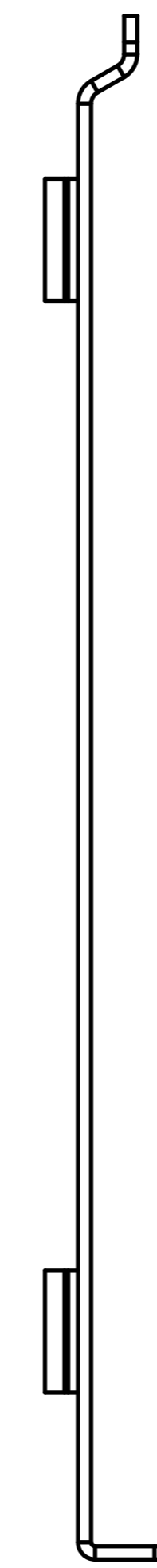
⑥ **BOTTOM VIEW**



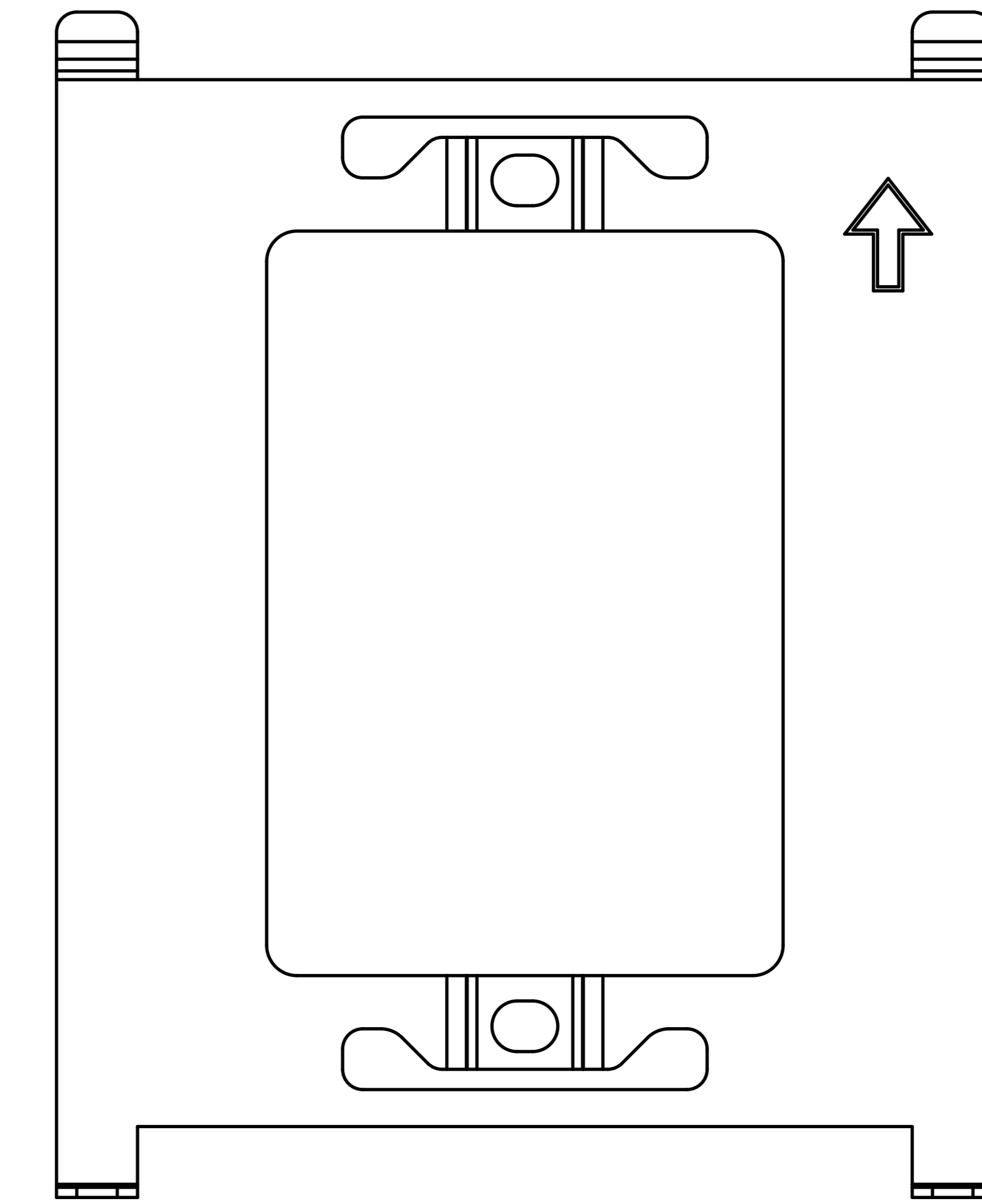
② **RIGHT VIEW**



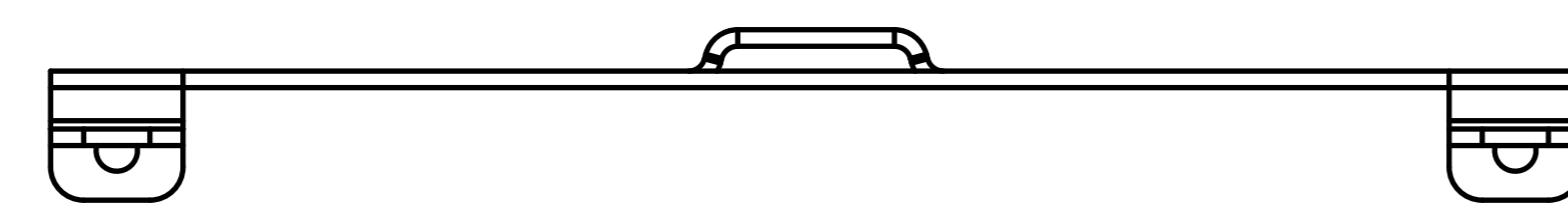
① **FRONT VIEW**



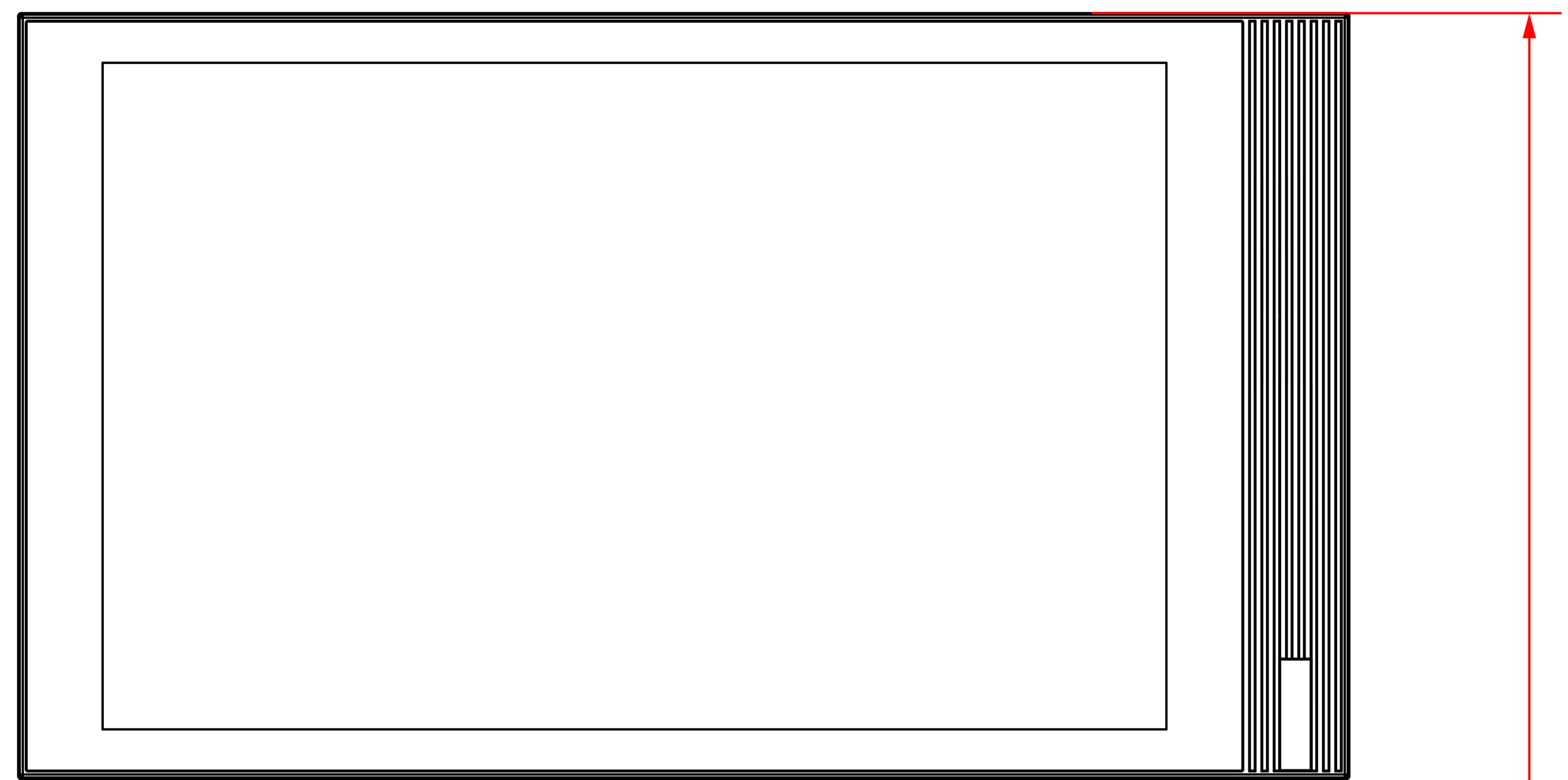
③ **LEFT VIEW**



④ **BACK VIEW**



⑤ **TOP VIEW**



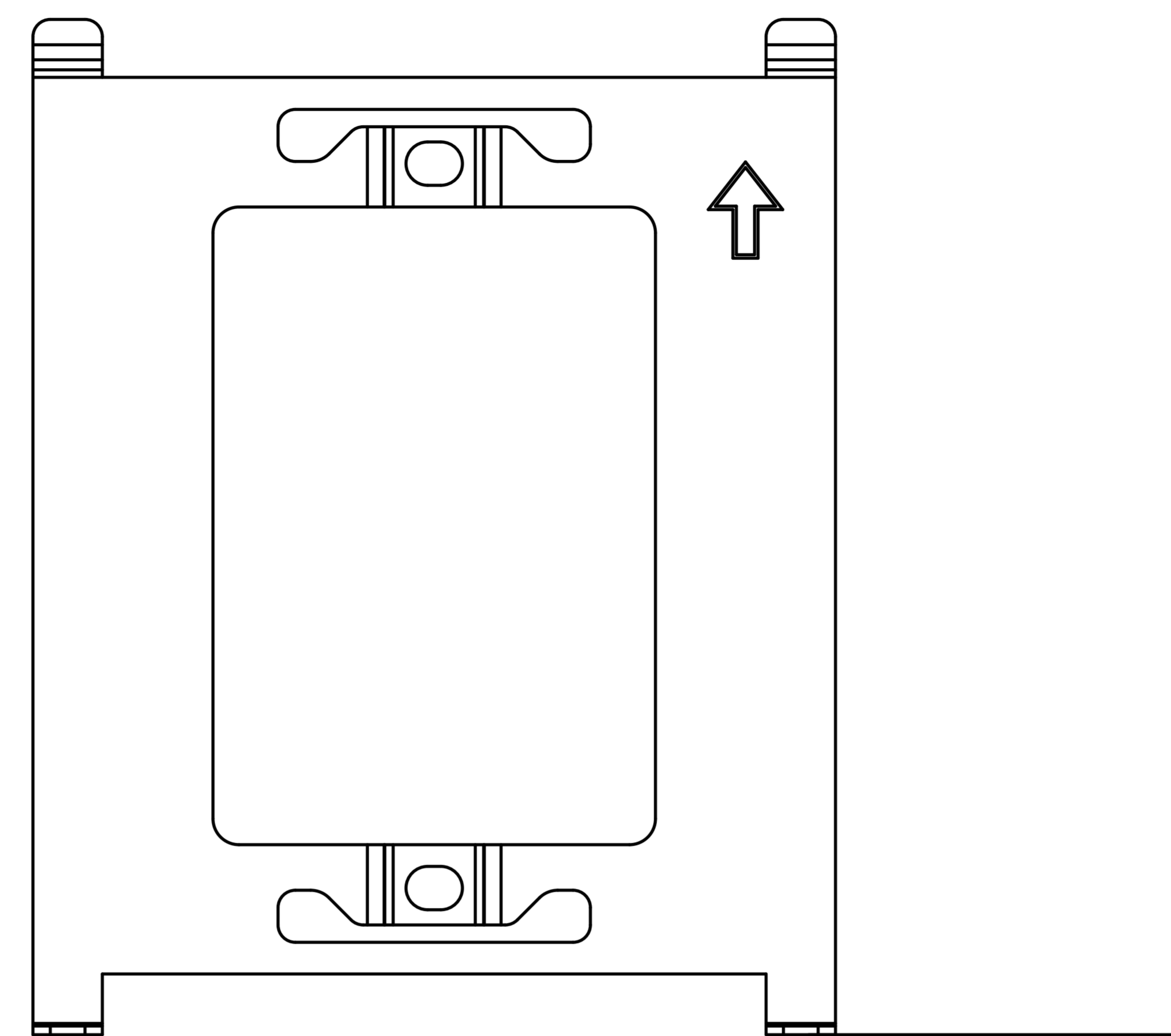
① INDOOR MONITOR PANEL FRONT VIEW

1075mm TO BOTTOM OF PANEL

1200mm MAX TO TOP OF PANEL

**ADA Compliance Requirement**

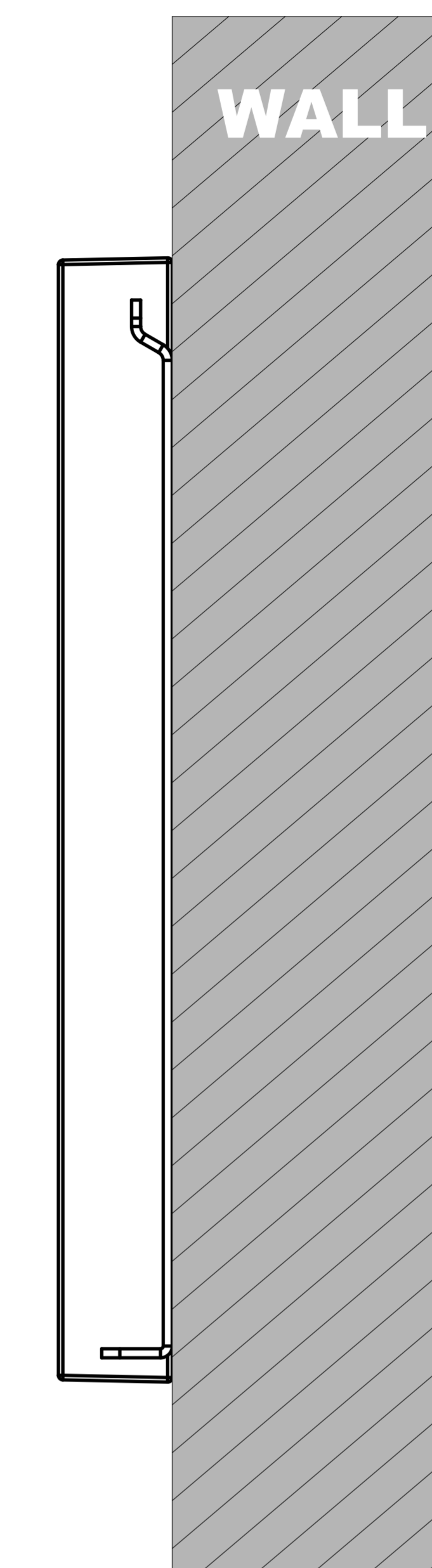
**GROUND**



② FRONT VIEW:WALL MOUNTING BRACKET PLACEMENT

1075mm TO BOTTOM OF BRACKET

**GROUND**



③ SIDE VIEW:INDOOR MONITOR ON WALL

**WALL**