

Applicable Model

R27

Drawing Title

Intercom Panel

Drawing Unit

mm

Drawing Scale

Not to scale

**DRAFT
SUBJECT TO
CHANGE**

Last Revised

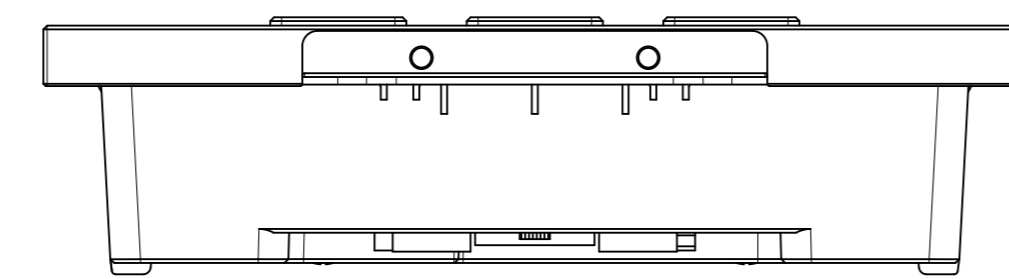
Apr 25,2020

Drawing Version

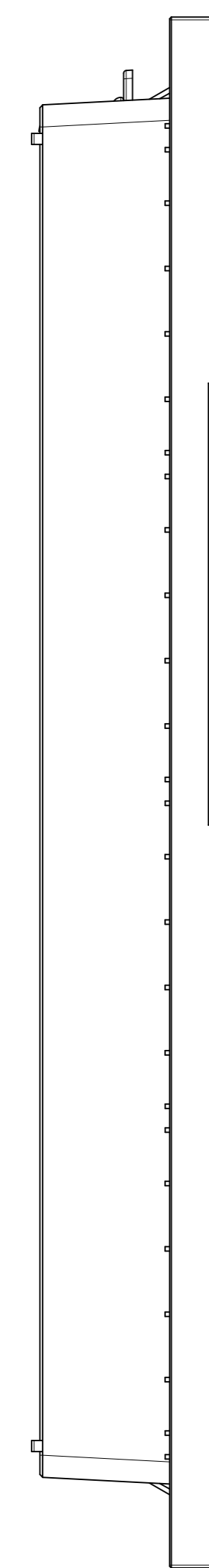
V1.0

Page

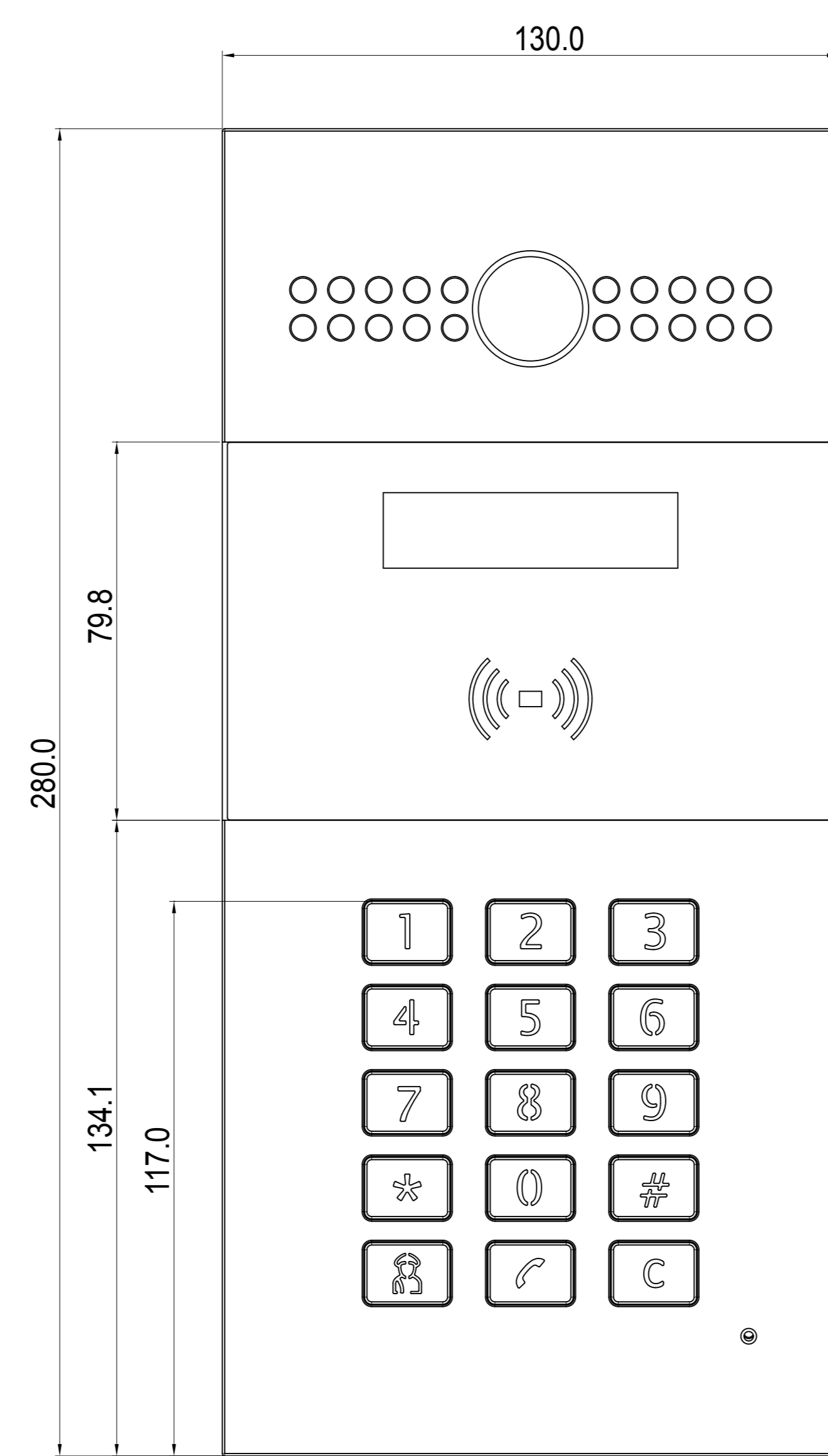
1 of 6



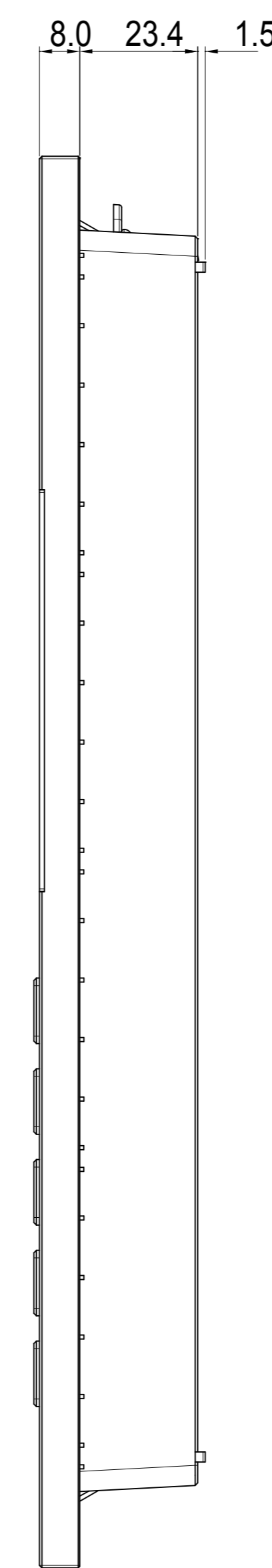
5 TOP VIEW



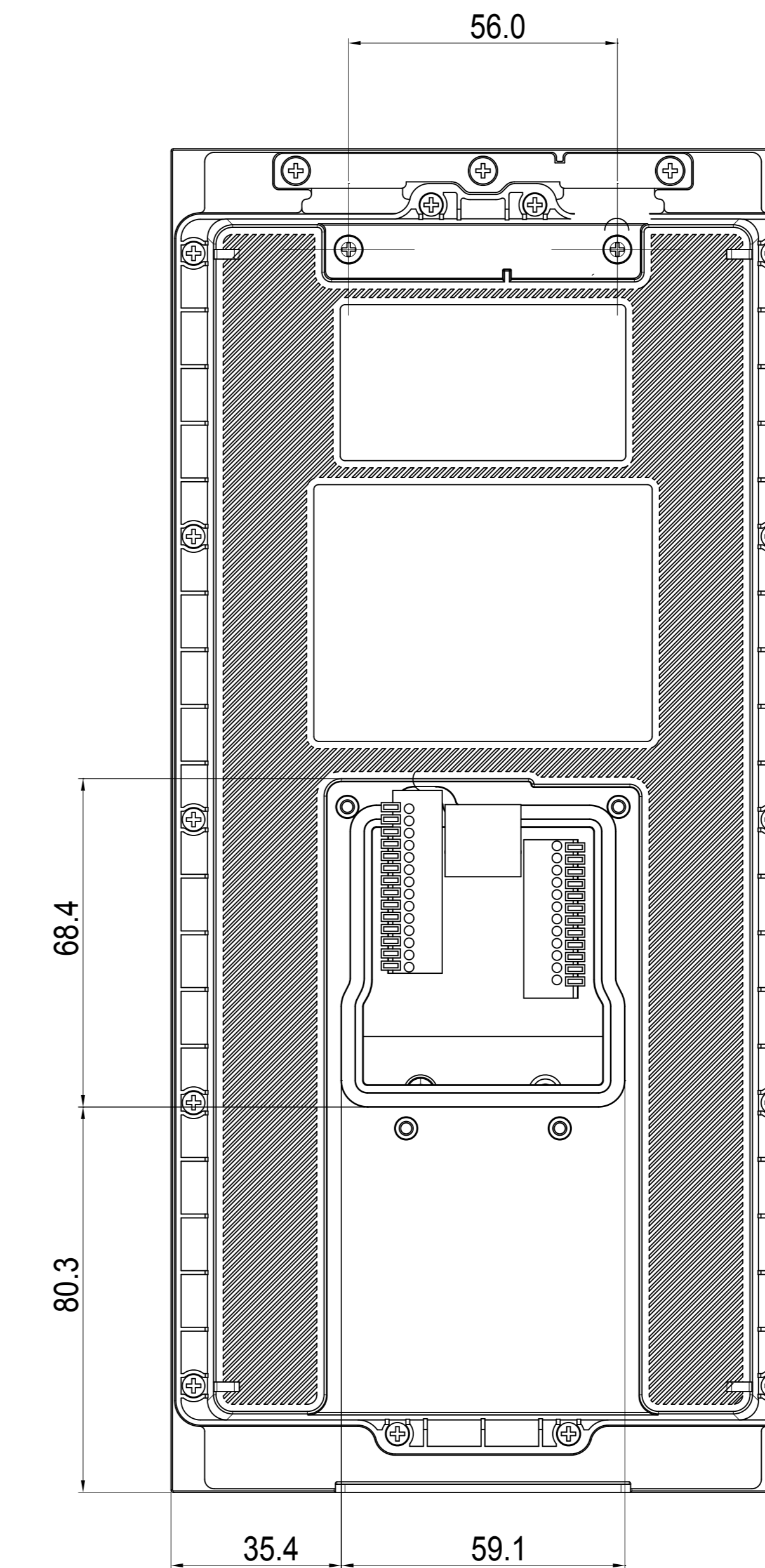
2 RIGHT VIEW



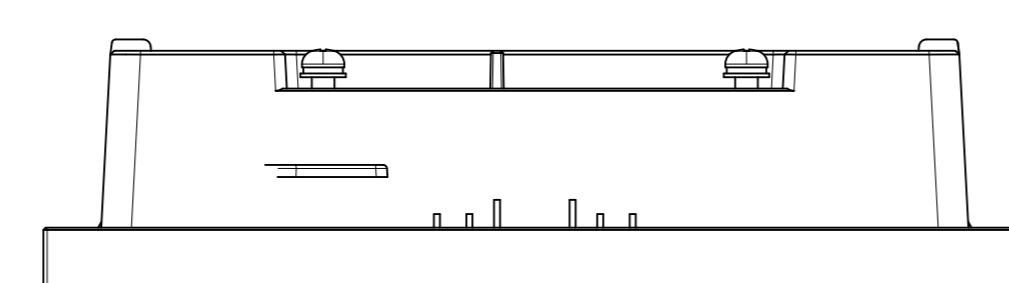
1 FRONT VIEW



3 LEFT VIEW



4 BACK VIEW



6 BOTTOM VIEW

Applicable Model

R27

Drawing Title

Wall Mounting Box

Drawing Unit

mm

Drawing Scale

Not to scale

**DRAFT
SUBJECT TO
CHANGE**

Last Revised

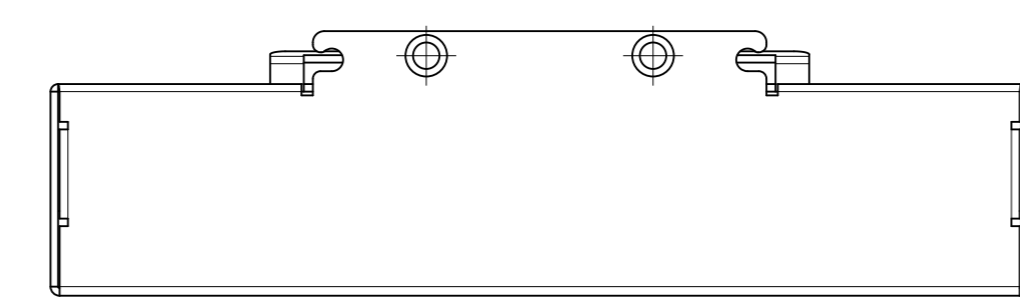
Apr 25,2020

Drawing Version

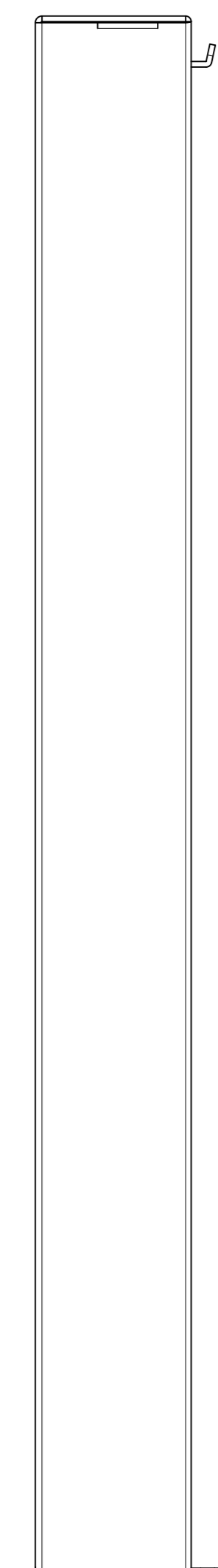
V1.0

Page

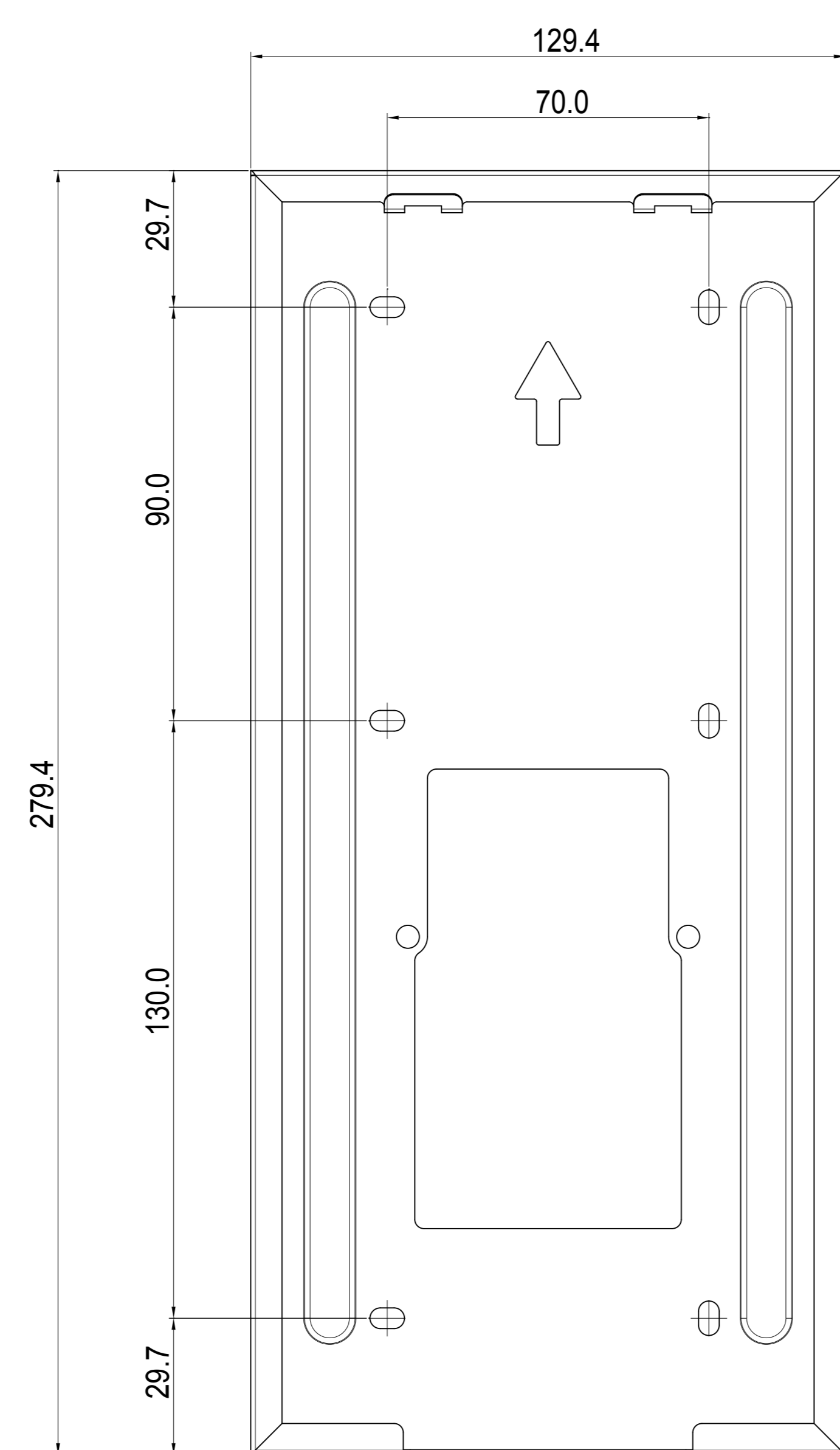
2 of 6



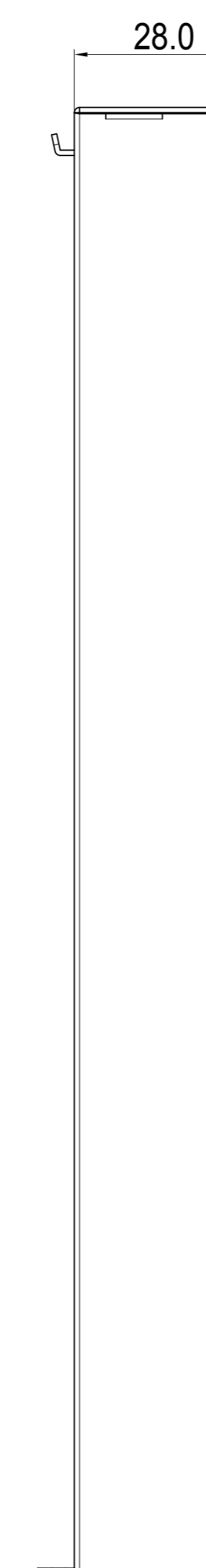
5 **TOP VIEW**



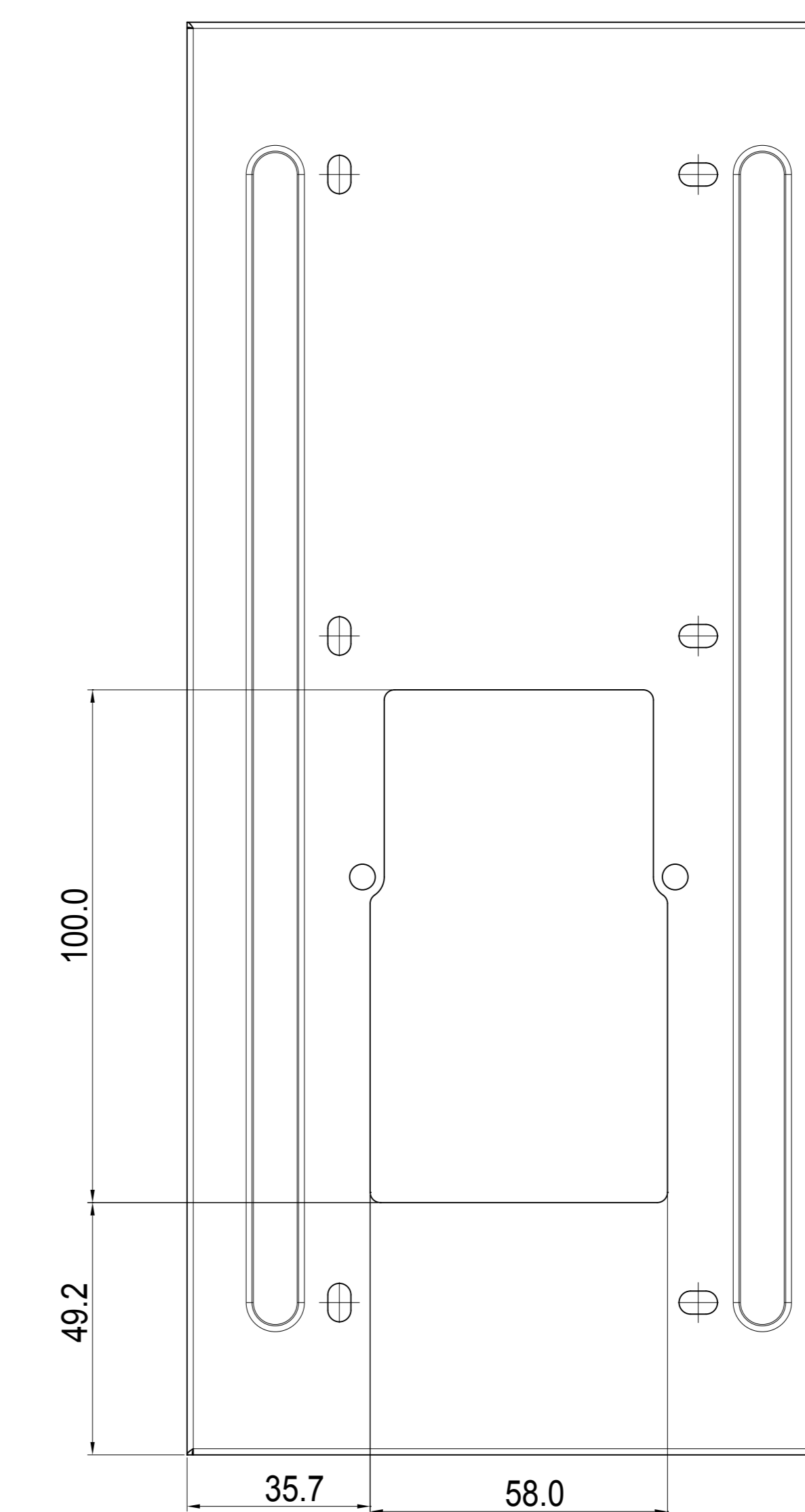
2 **RIGHT VIEW**



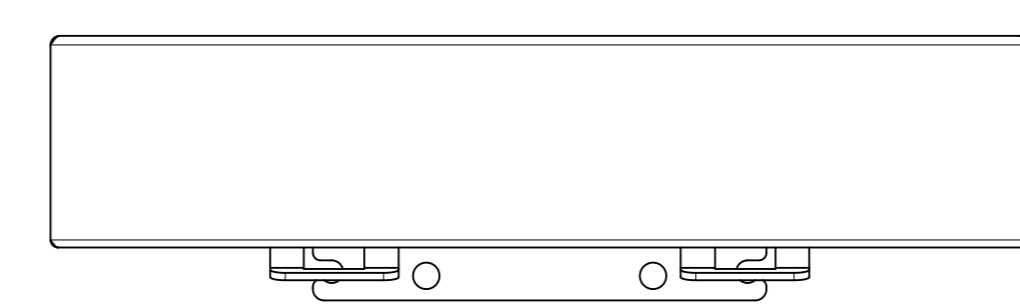
1 **FRONT VIEW**



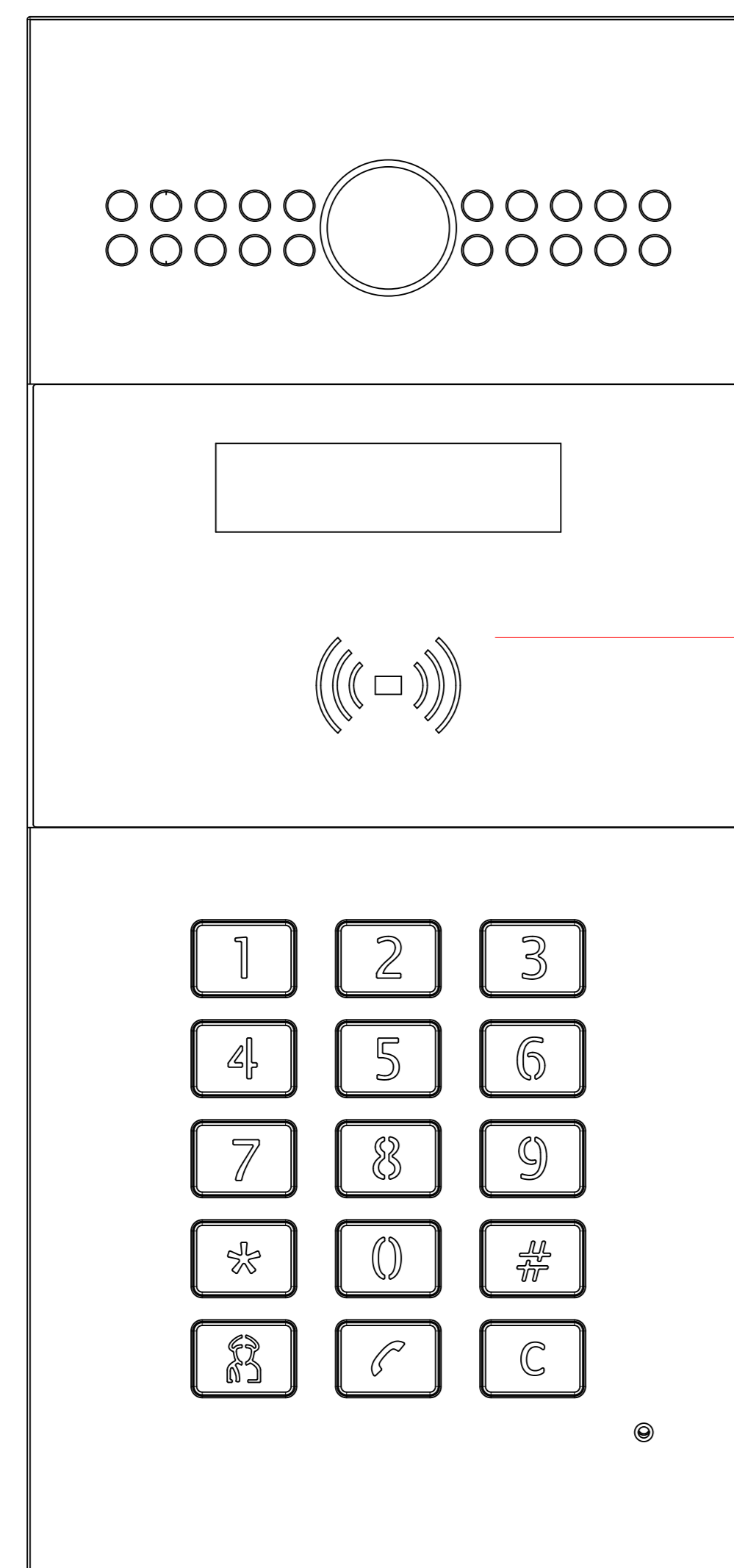
3 **LEFT VIEW**



4 **BACK VIEW**



6 **BOTTOM VIEW**



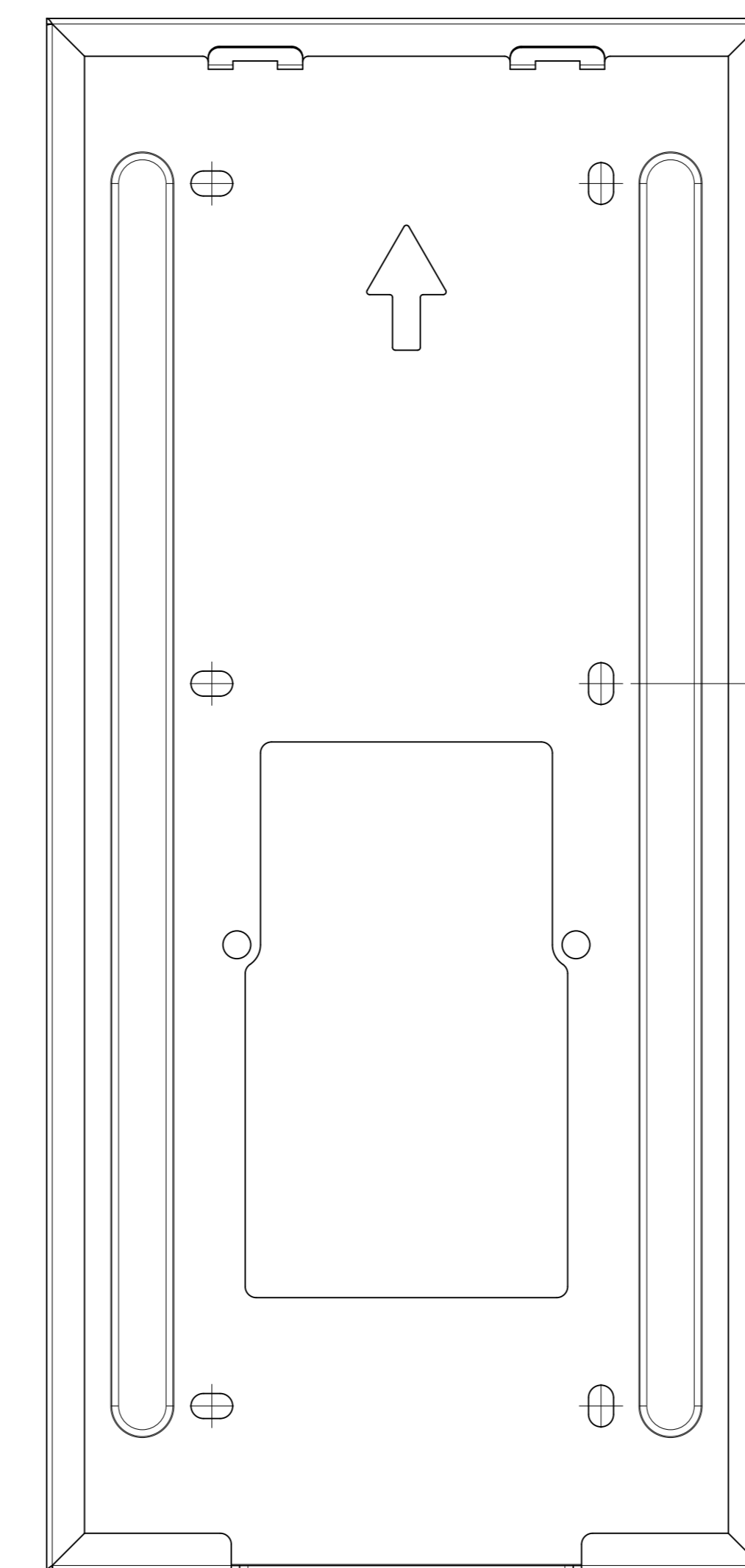
① INTERCOM PANEL FRONT VIEW

1100mm TO BOTTOM OF PANEL

1268mm MAX TO TOP OF USABLE PARTS

ADA Compliance Requirement

GROUND

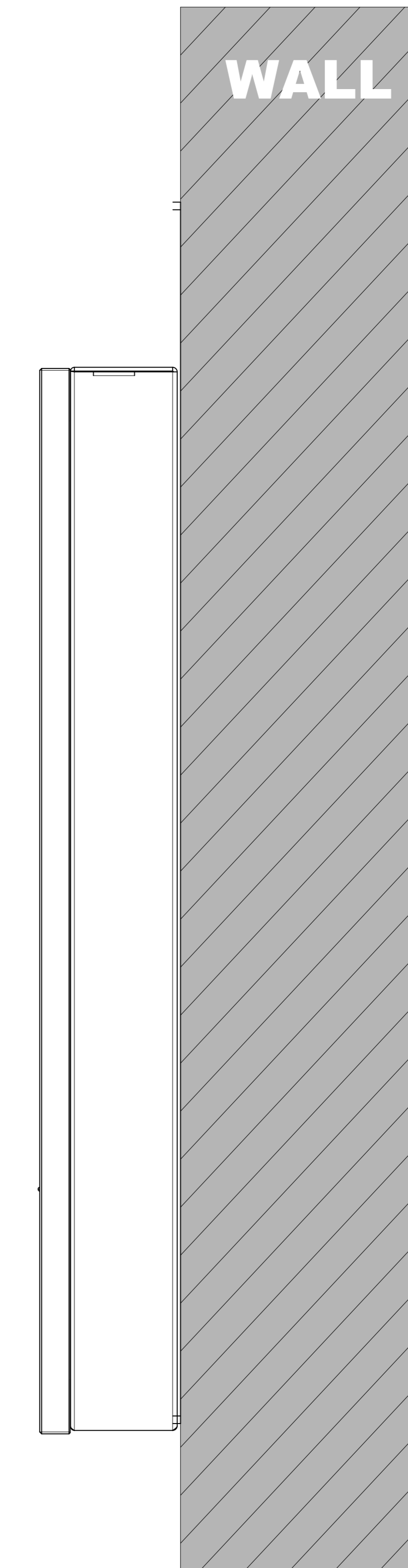


② FRONT VIEW:WALL MOUNTING BRACKET PLACEMENT

1120mm TO BOTTOM OF BRACKET

1260mm TO SCREW HOLE CENTER OF BRACKET

GROUND



③ SIDE VIEW:INTERCOM ON WALL

Applicable Model

R27

Drawing Title

Flush Mounting Bracket

Drawing Unit

mm

Drawing Scale

Not to scale

**DRAFT
SUBJECT TO
CHANGE**

Last Revised

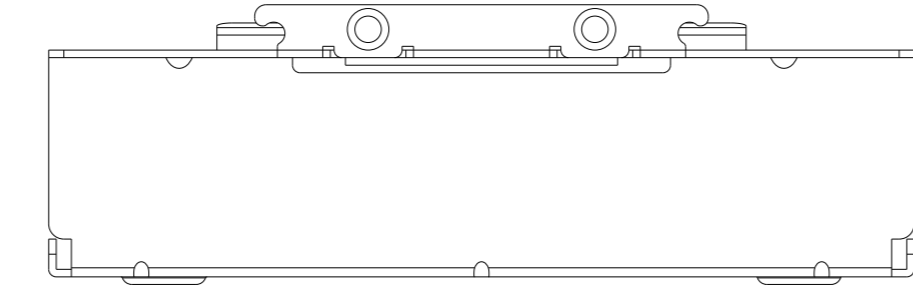
Apr 25,2020

Drawing Version

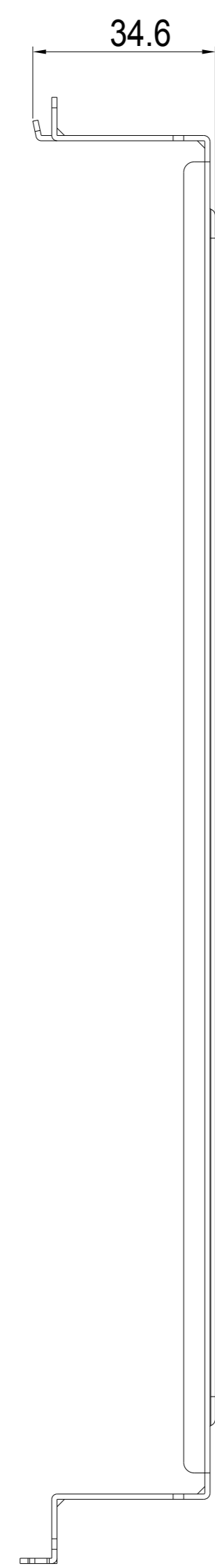
V1.0

Page

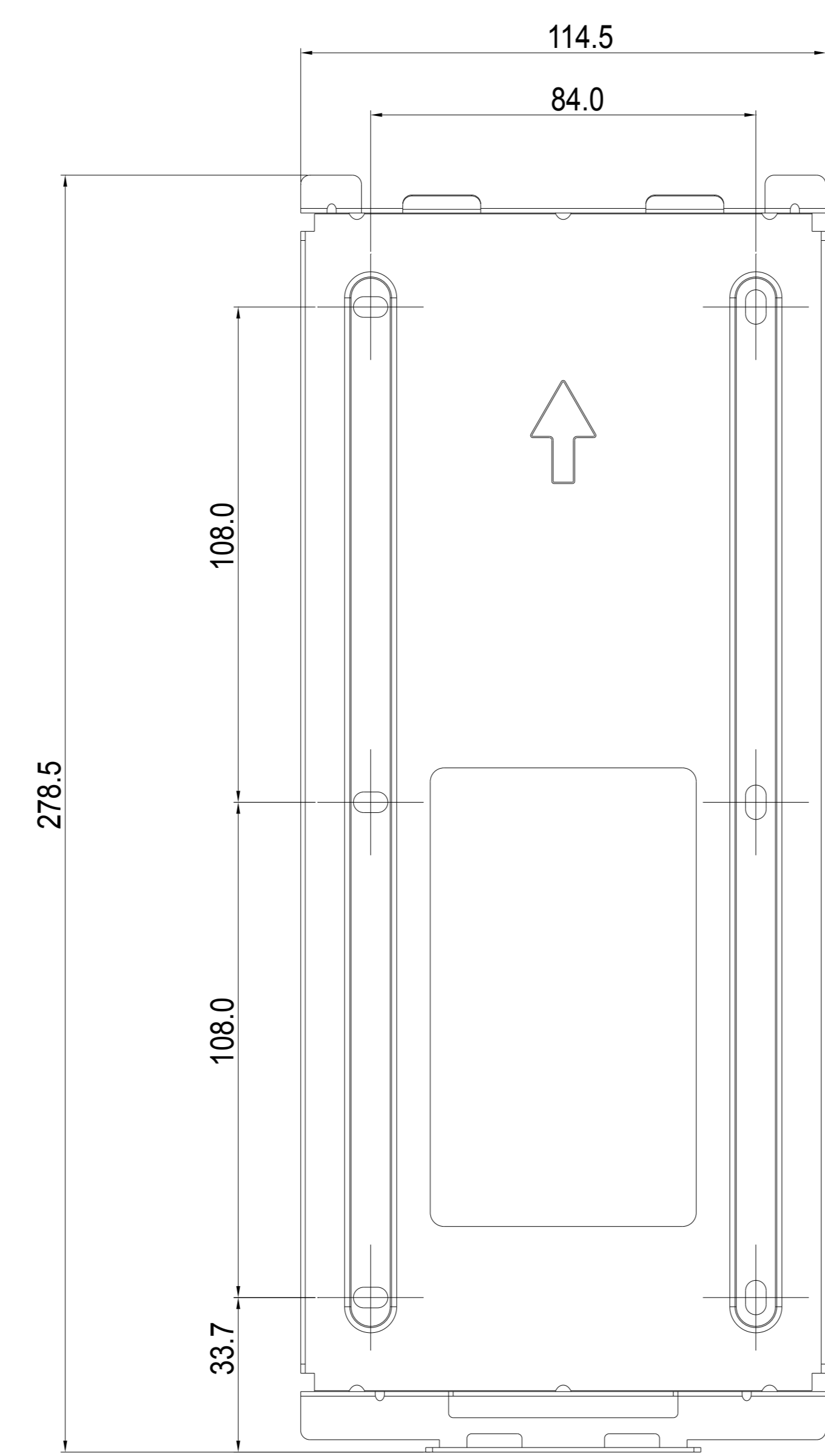
4 of 6



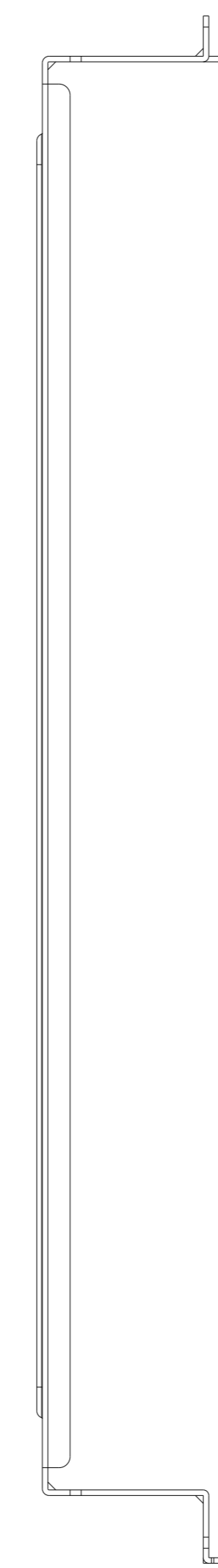
5 **TOP VIEW**



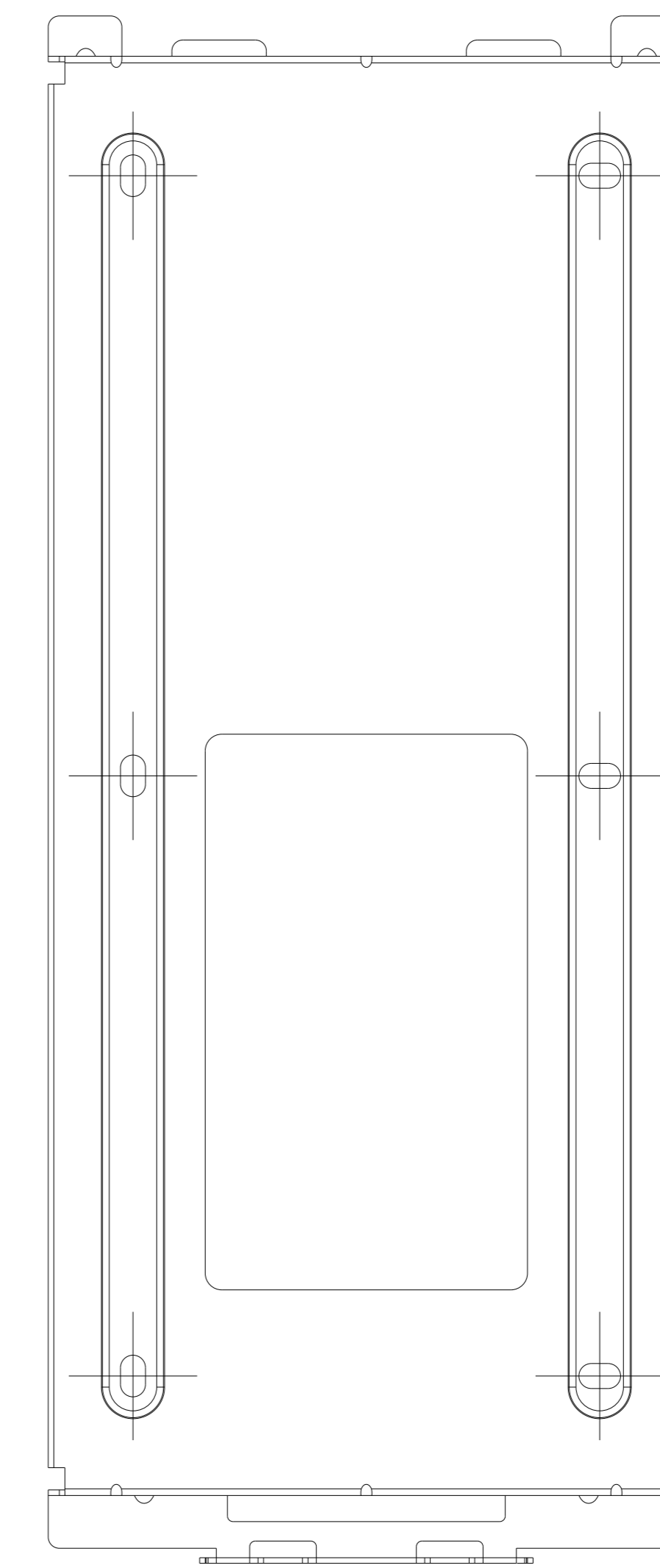
2 **RIGHT VIEW**



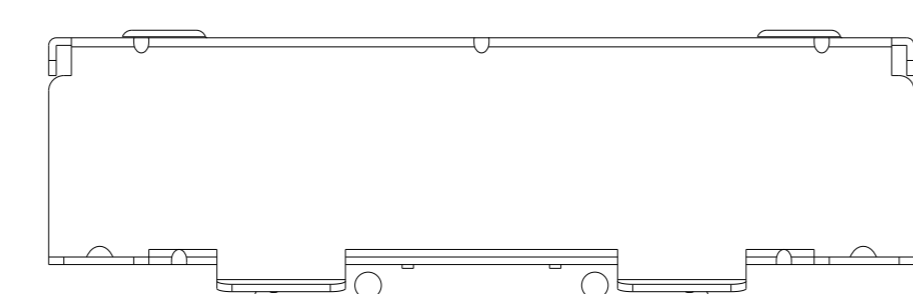
1 **FRONT VIEW**



3 **LEFT VIEW**



4 **BACK VIEW**



6 **BOTTOM VIEW**

Applicable Model

R27

Drawing Title

Flush Mounting Box

Drawing Unit

mm

Drawing Scale

Not to scale

**DRAFT
SUBJECT TO
CHANGE**

Last Revised

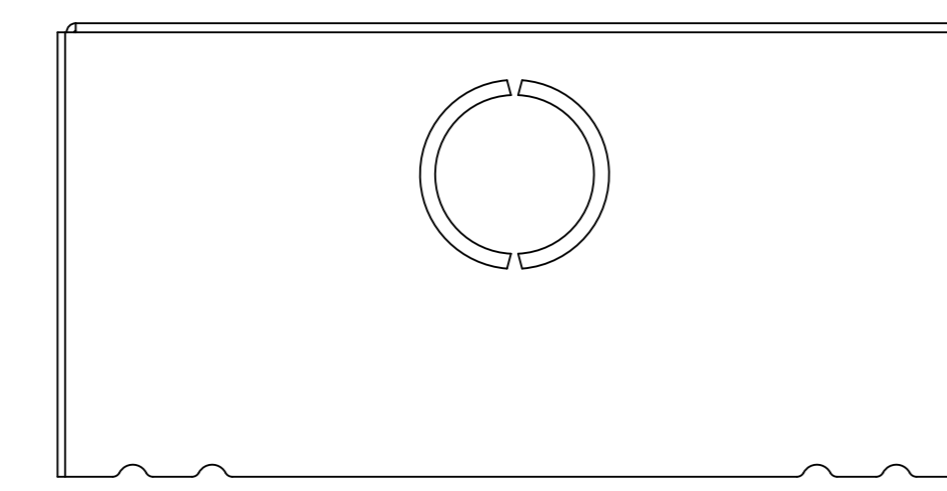
Apr 25, 2020

Drawing Version

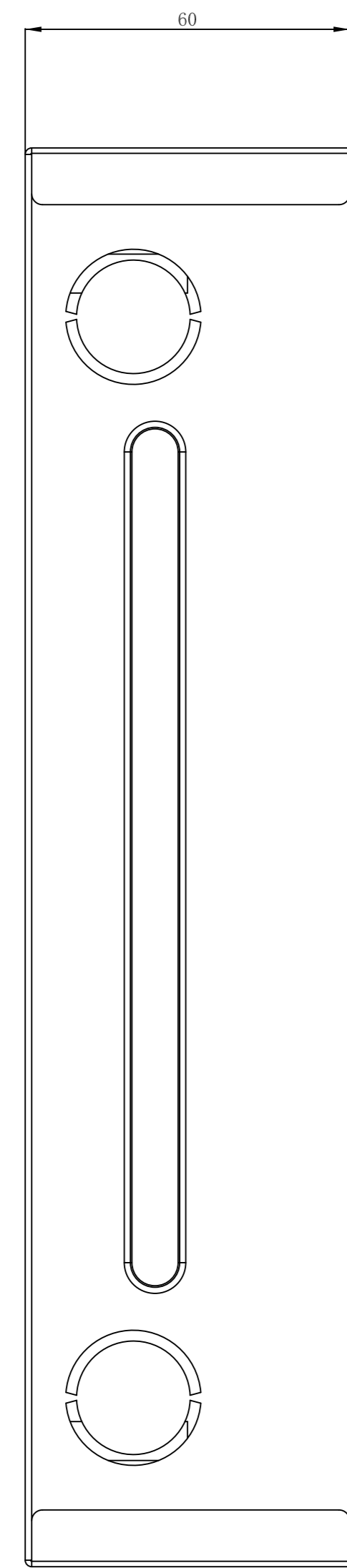
V1.0

Page

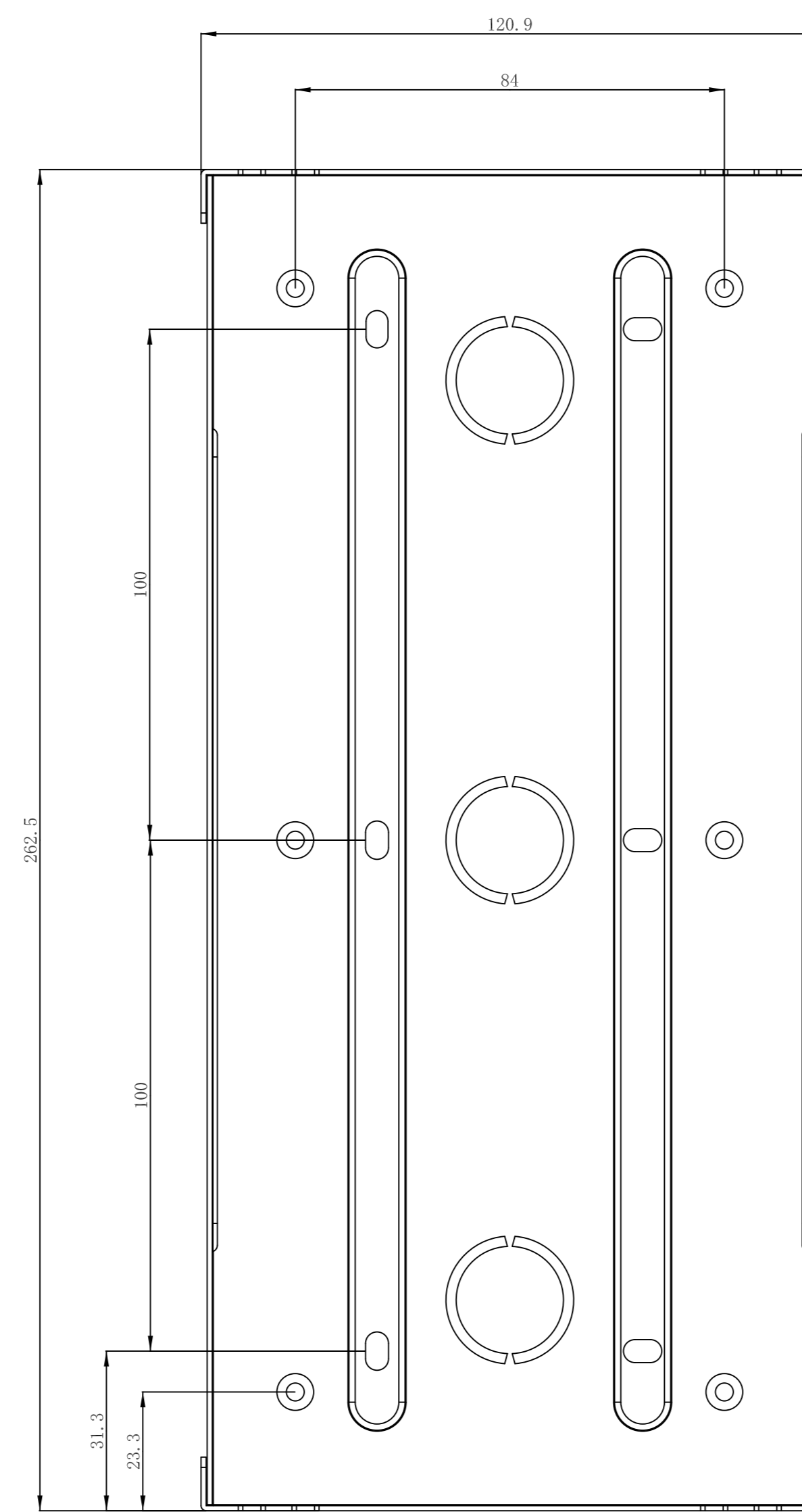
5 of 6



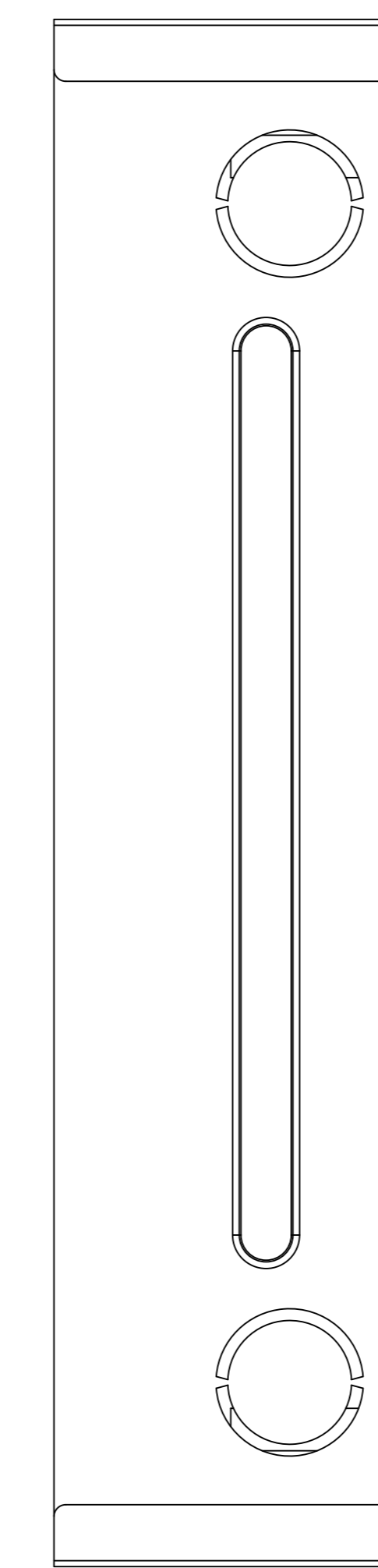
5 **TOP VIEW**



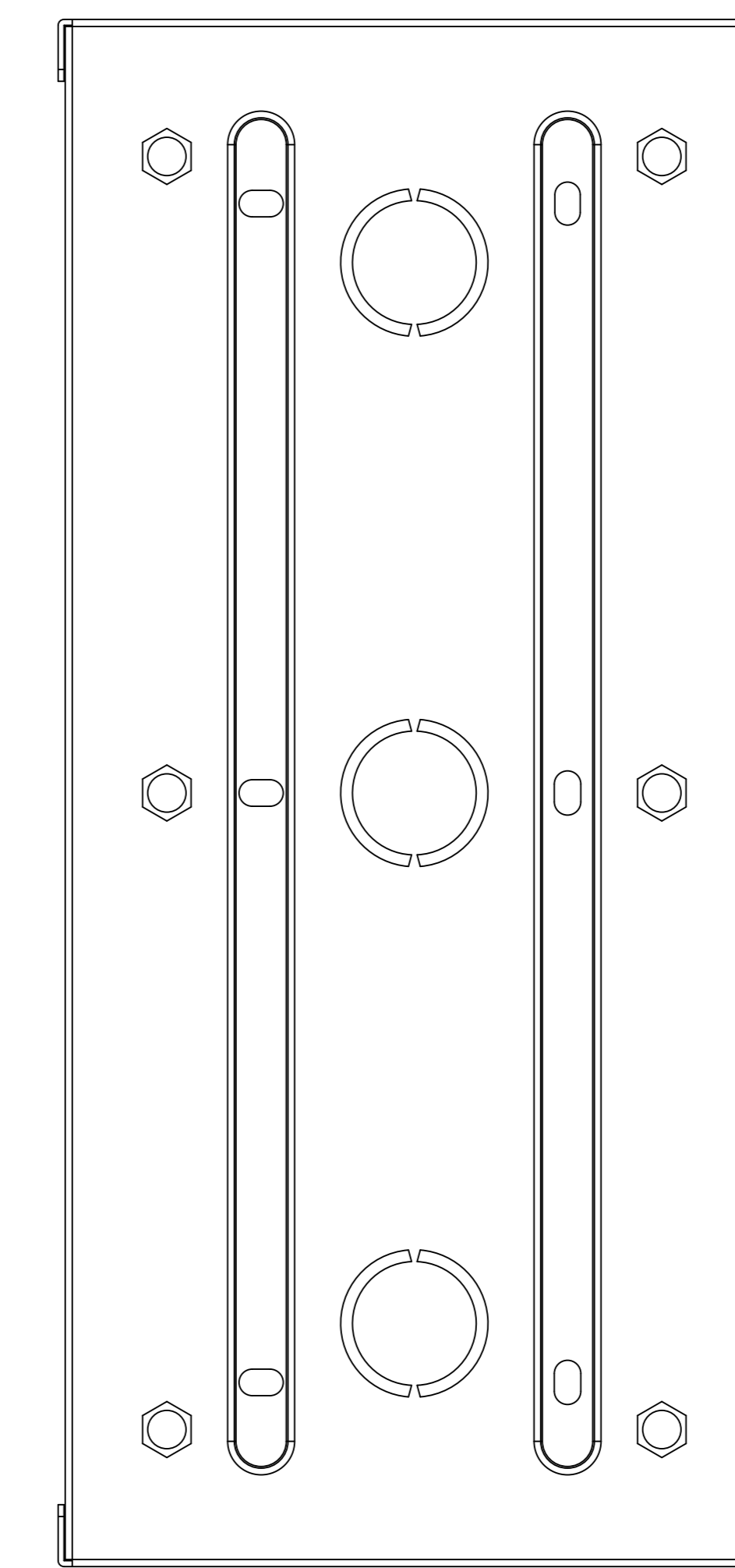
2 **RIGHT VIEW**



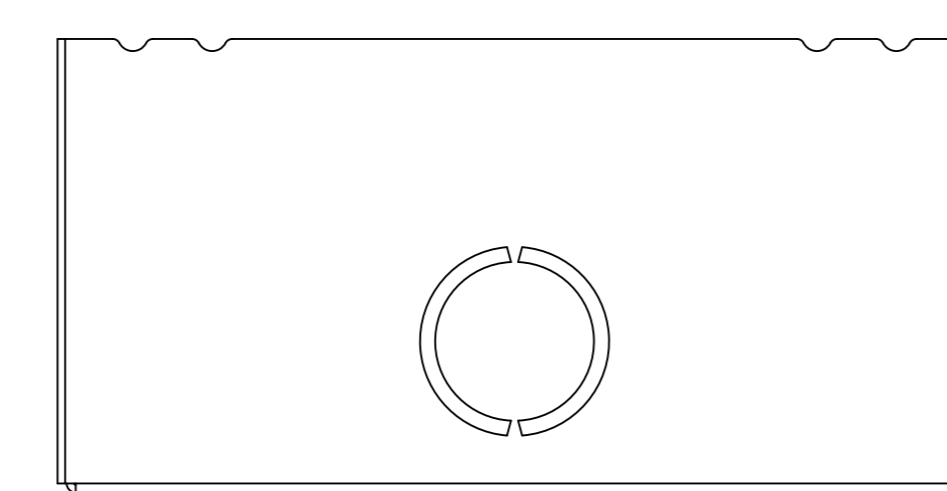
1 **FRONT VIEW**



3 **LEFT VIEW**



4 **BACK VIEW**



6 **BOTTOM VIEW**

Applicable Model

R27

Drawing Title

Placement

Drawing Unit

mm

Drawing Scale

Not to scale

**DRAFT
SUBJECT TO
CHANGE**

Last Revised

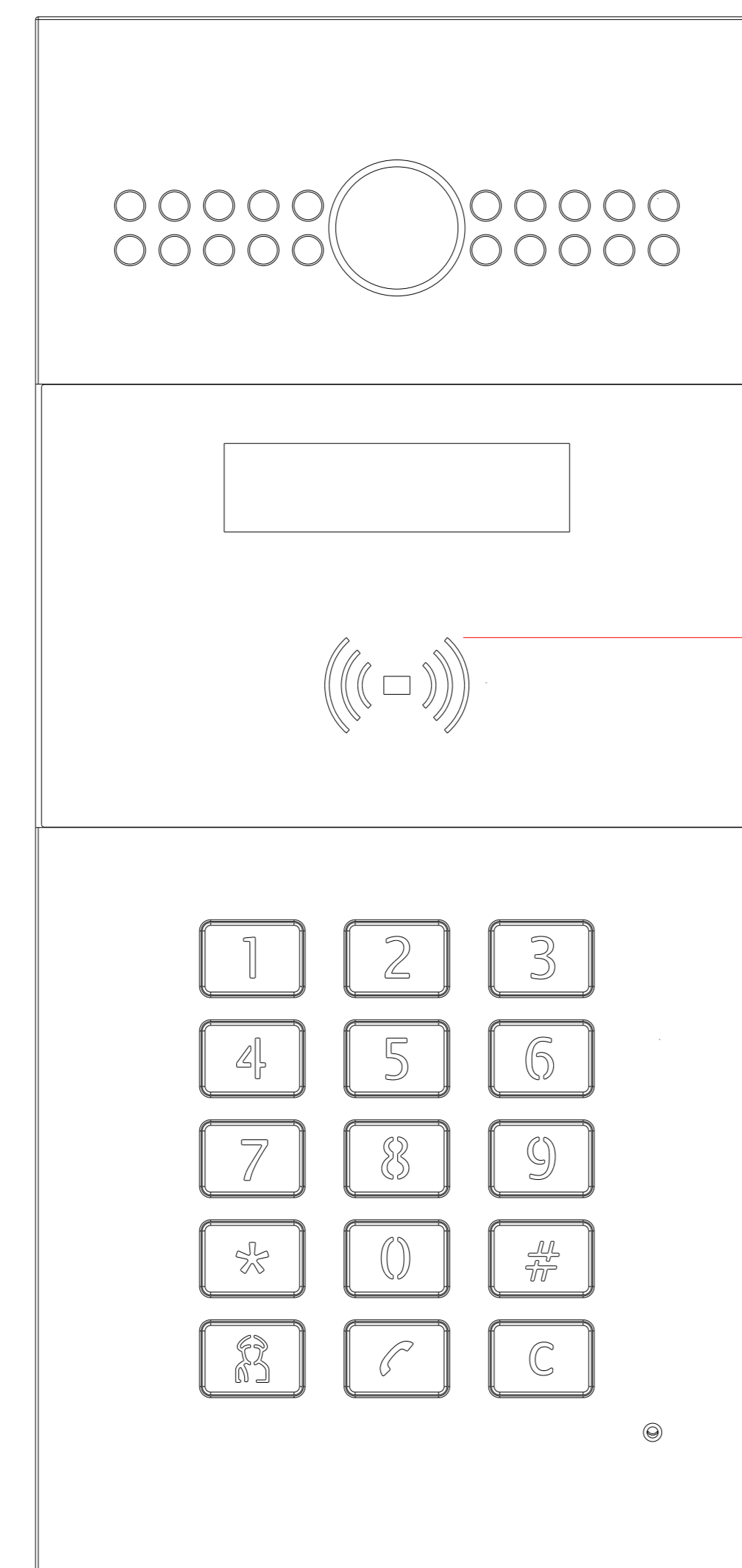
Apr 25,2020

Drawing Version

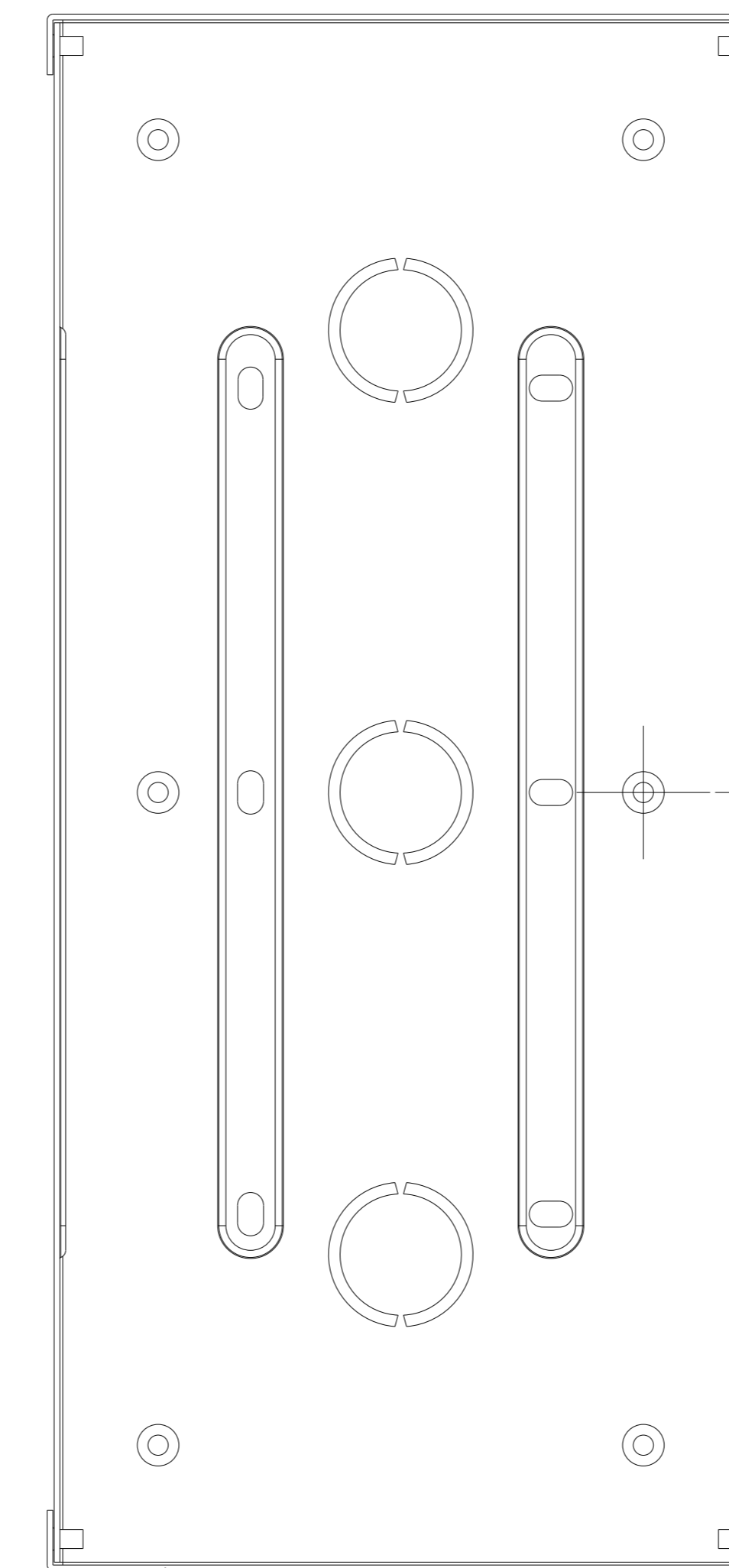
V1.0

Page

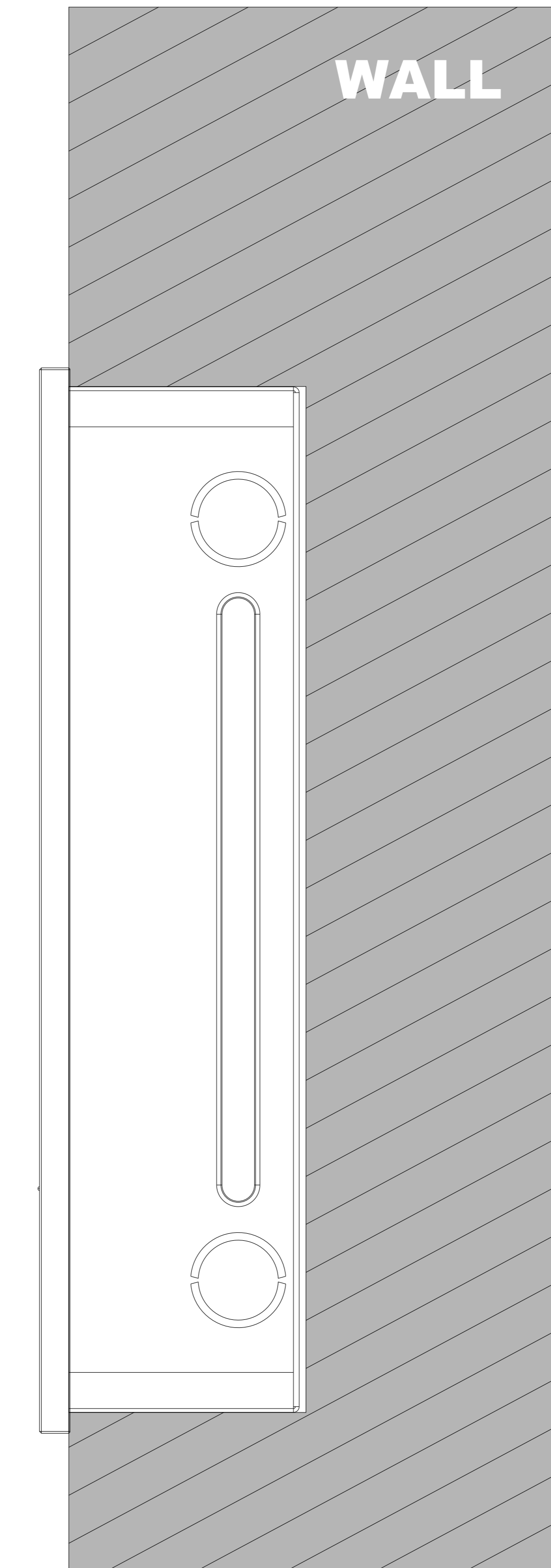
6 of 6



① INTERCOM PANEL FRONT VIEW



② FRONT VIEW: FLUSHING MOUNTING BOX PLACEMENT



③ SIDE VIEW:INTERCOM IN WALL

1100mm TO BOTTOM OF PANEL

1268mm MAX TO TOP OF USABLE TPARTS

ADA Compliance Requirement

GROUND

1105mm TO BOTTOM OF BOX

1240mm TO SCREW HOLE CENTER OF BOX

GROUND