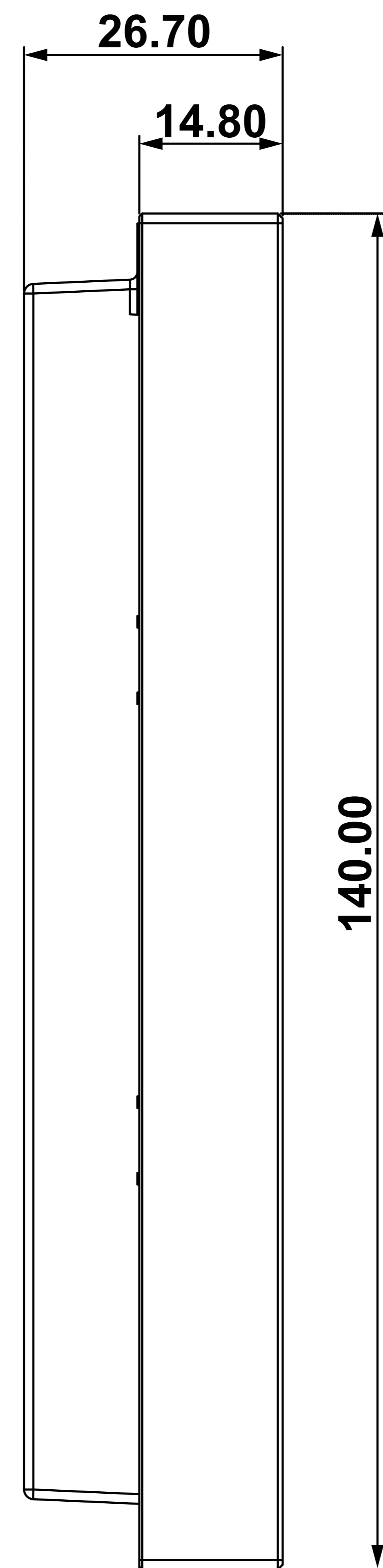
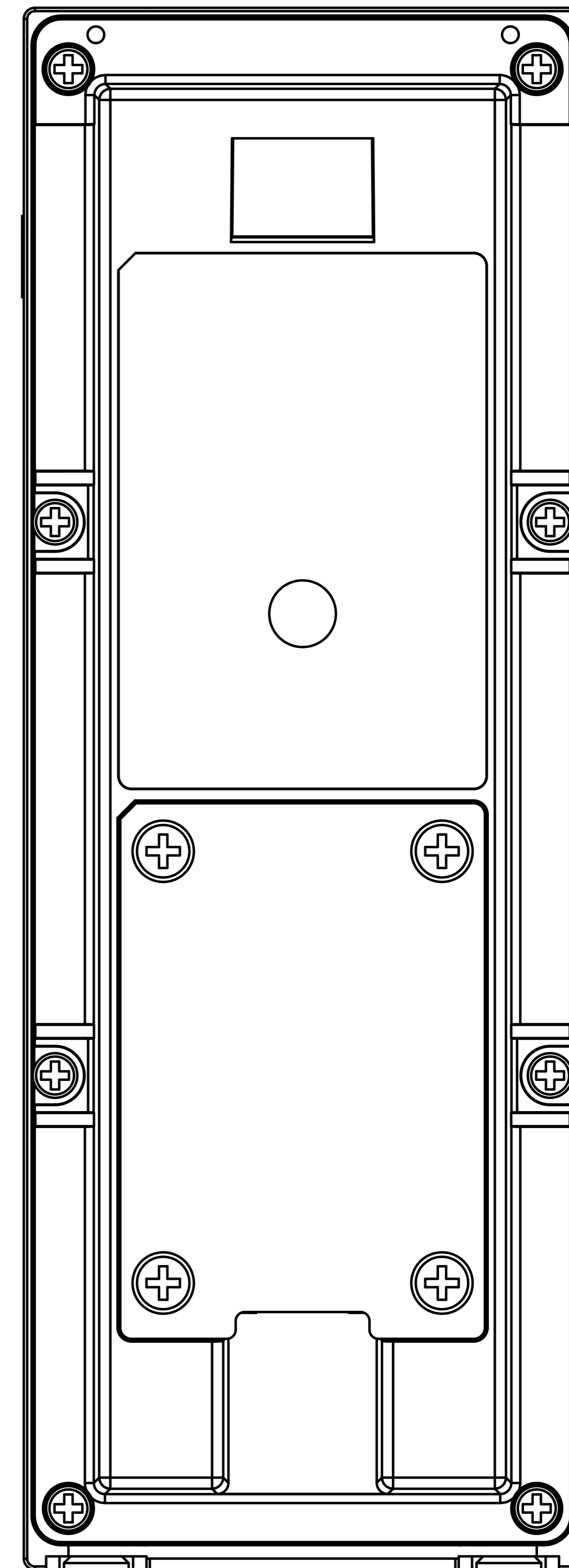


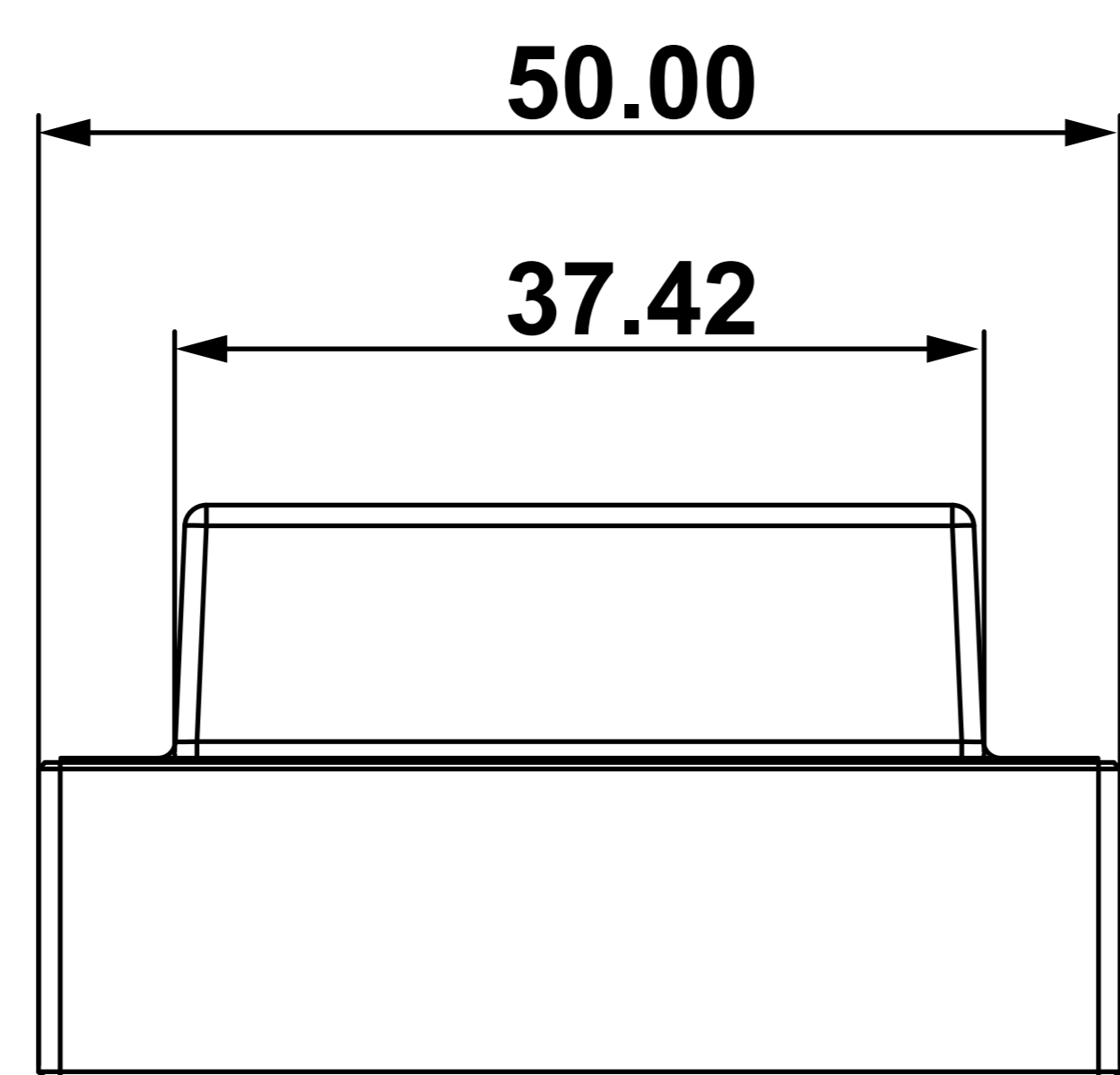
⑥ **BOTTOM VIEW**



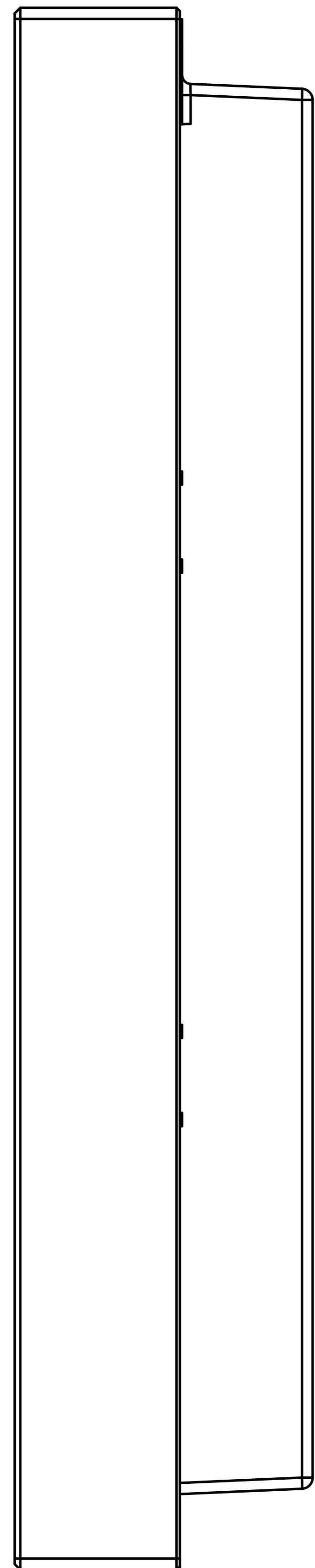
③ **LEFT VIEW**



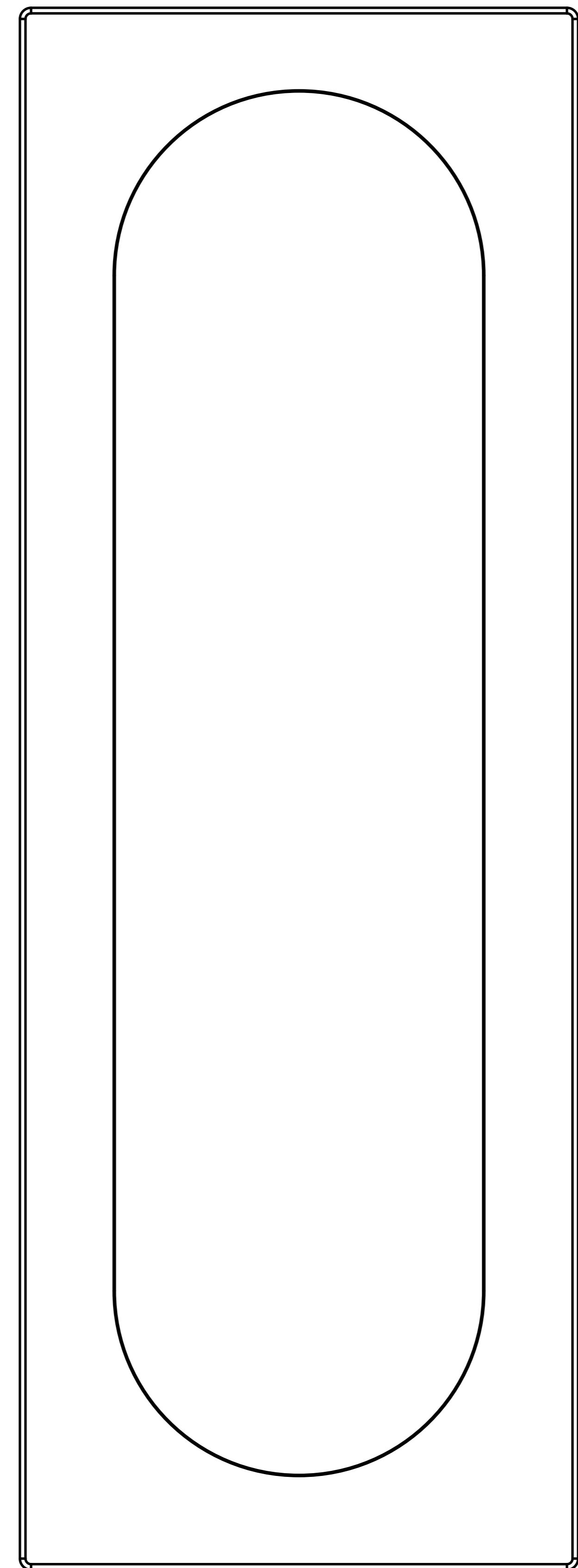
④ **BACK VIEW**



⑤ **TOP VIEW**



② **RIGHT VIEW**



① **FRONT VIEW**

Applicable Model

A08

Drawing Title

Wall Mounting Box

Drawing Unit

mm

Drawing Scale

Not to scale

**DRAFT
SUBJECT TO
CHANGE**

Last Revised

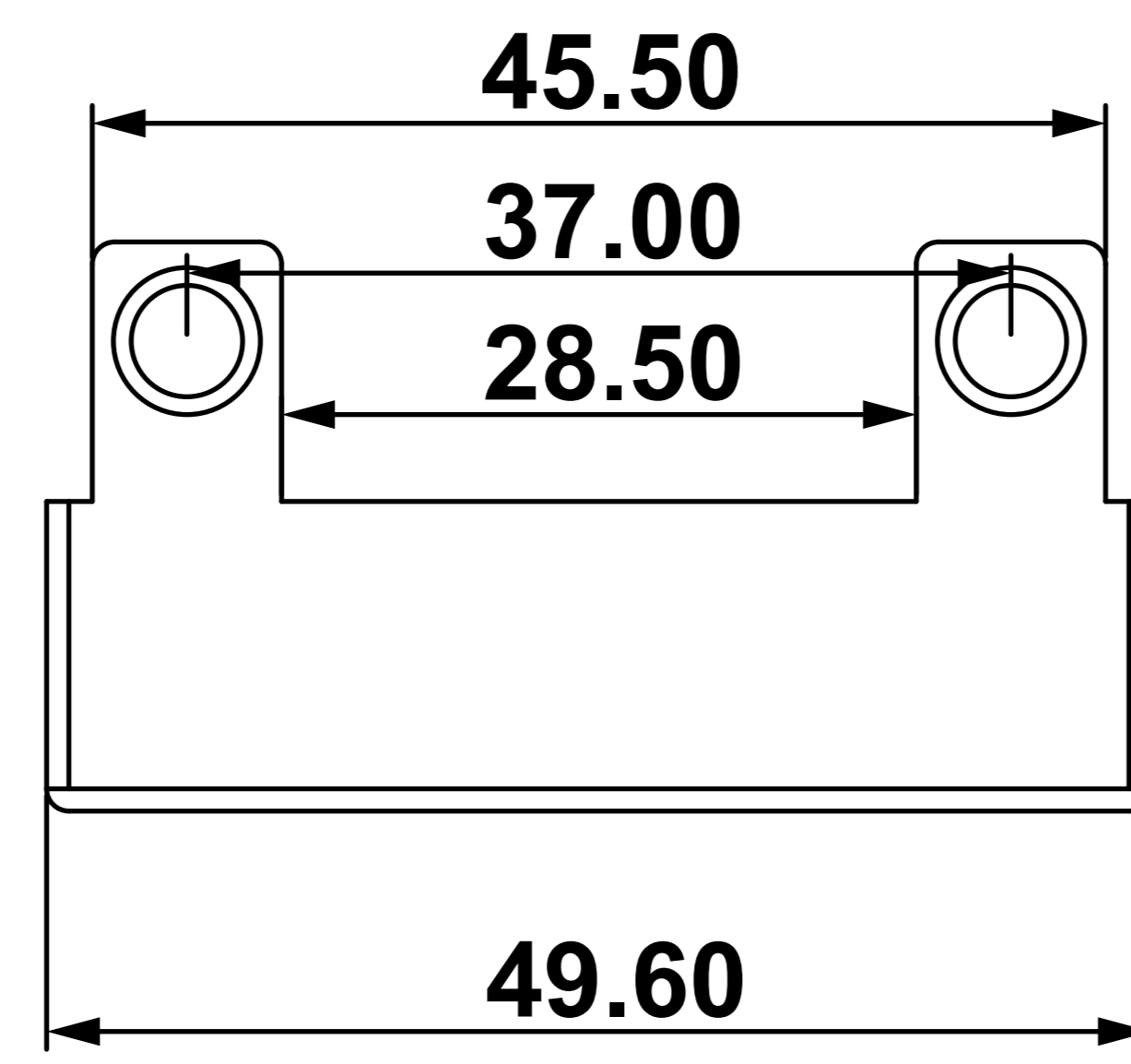
Dec 18, 2023

Drawing Version

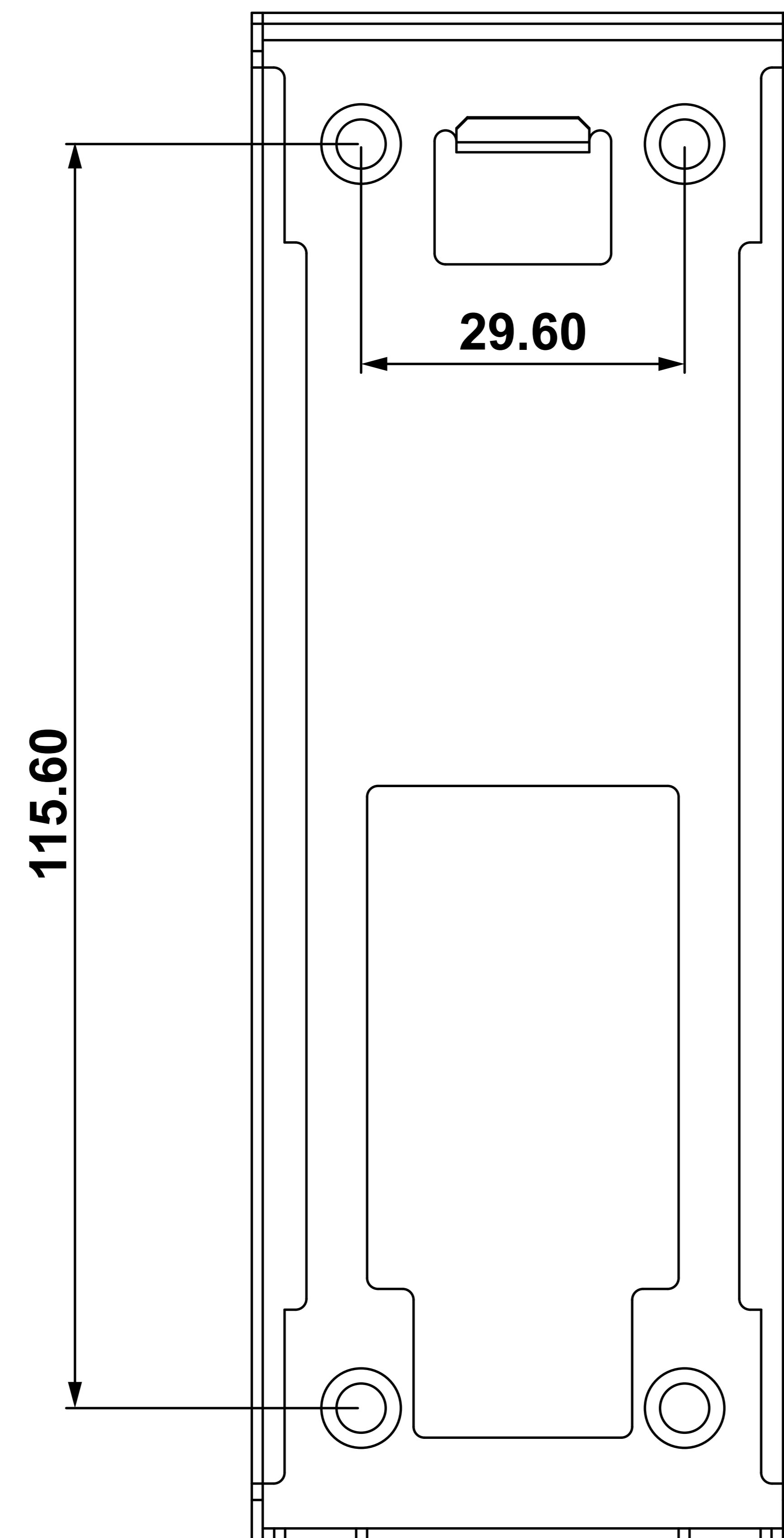
V1.0

Page

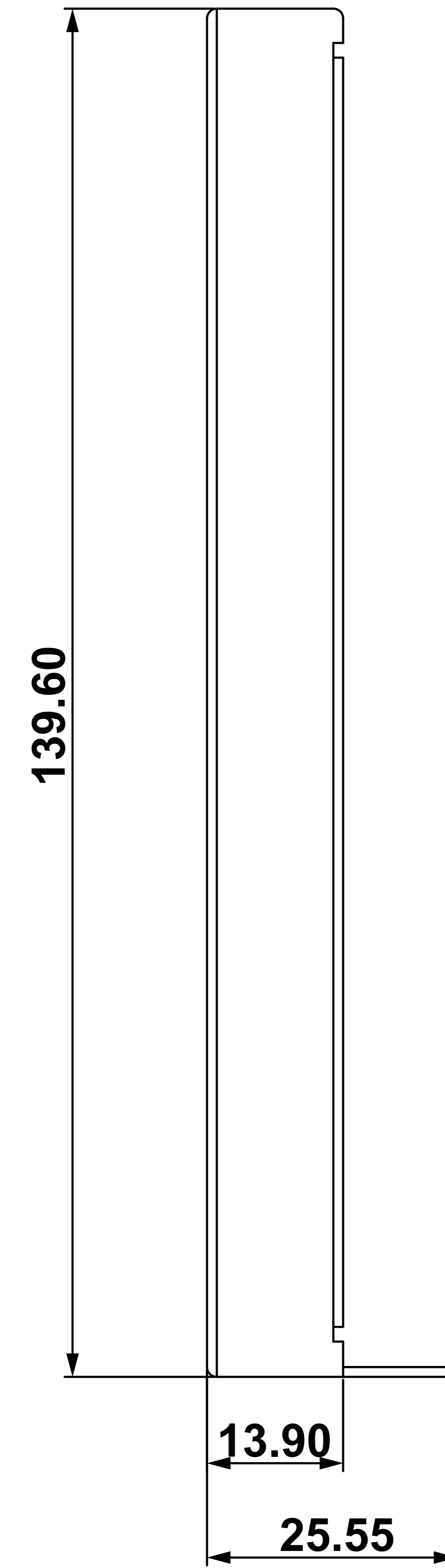
2 of 5



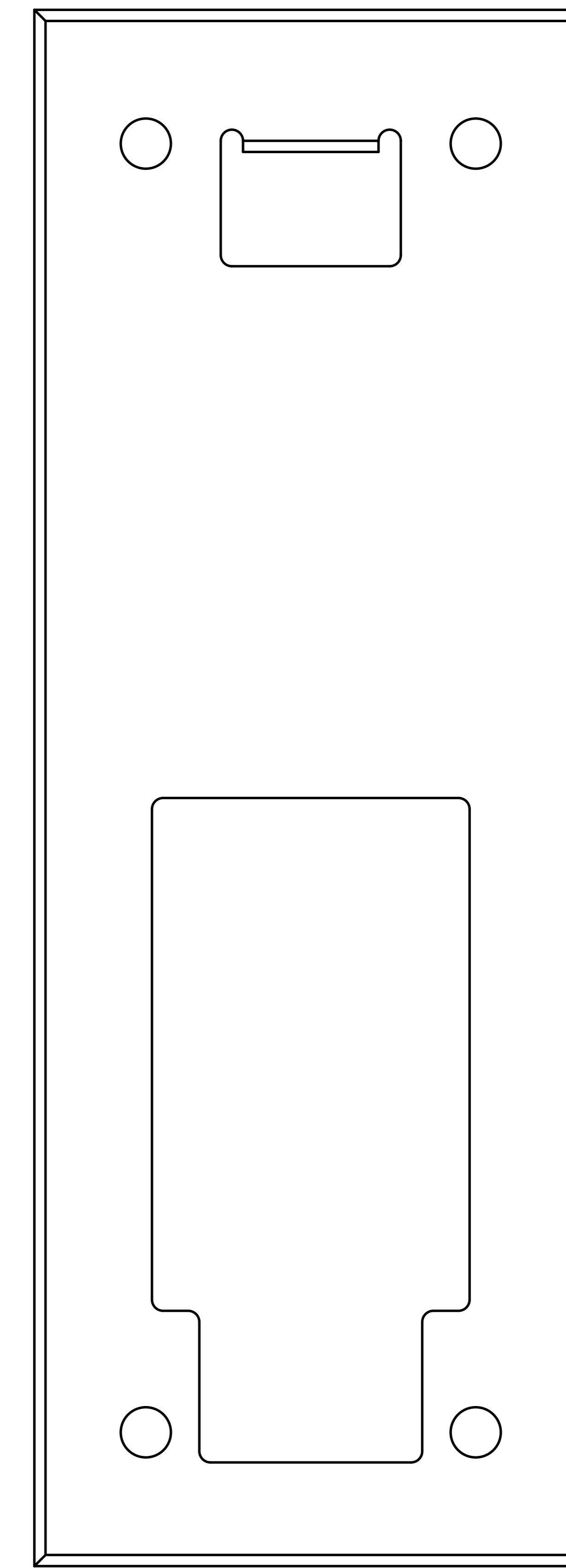
⑥ **BOTTOM VIEW**



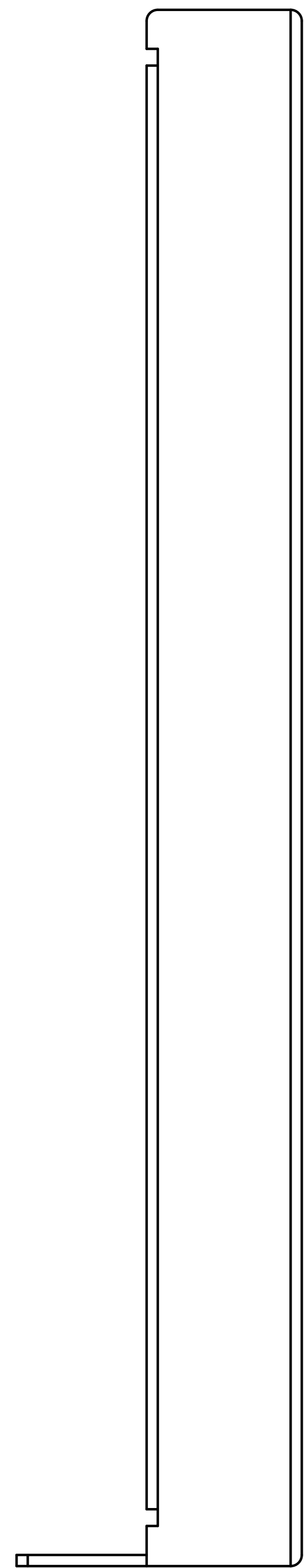
① **FRONT VIEW**



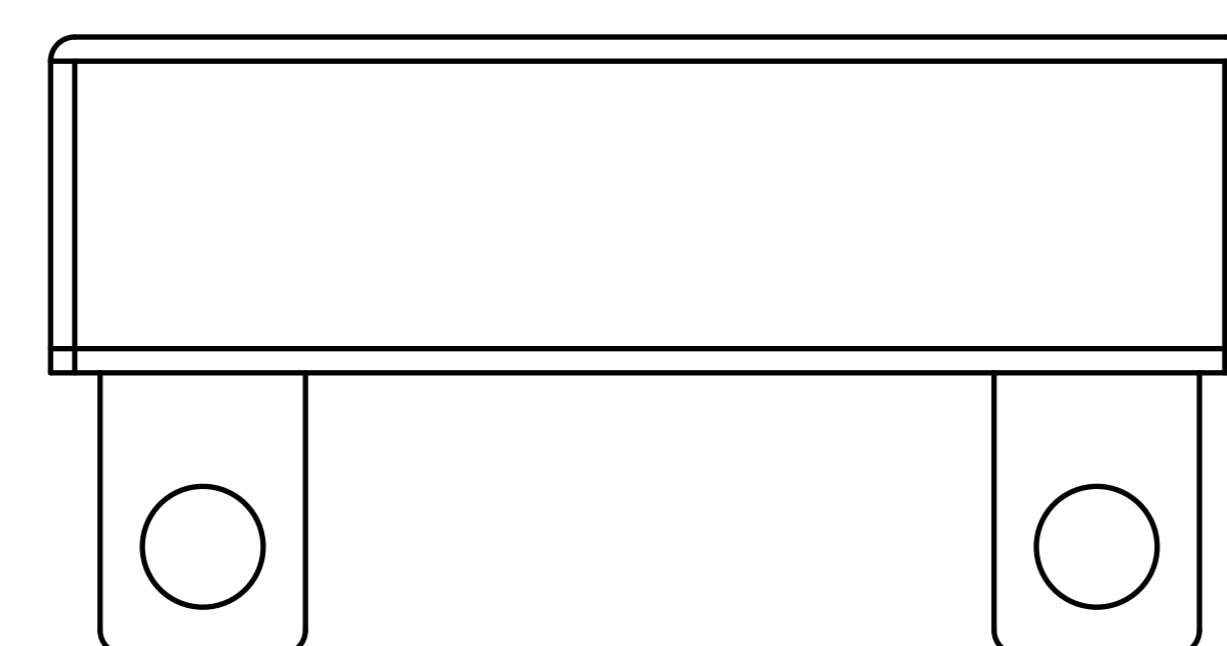
③ **LEFT VIEW**



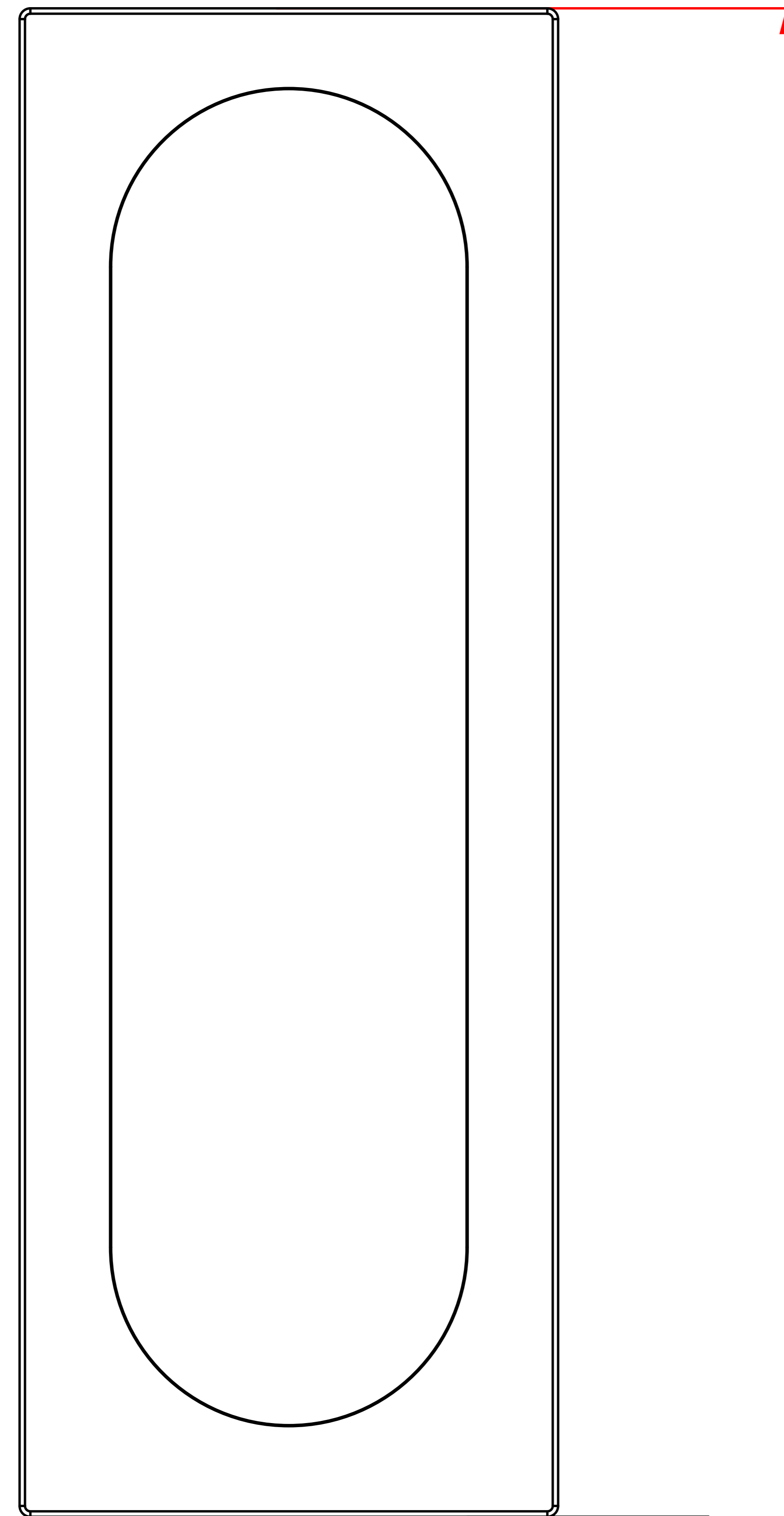
④ **BACK VIEW**



② **RIGHT VIEW**



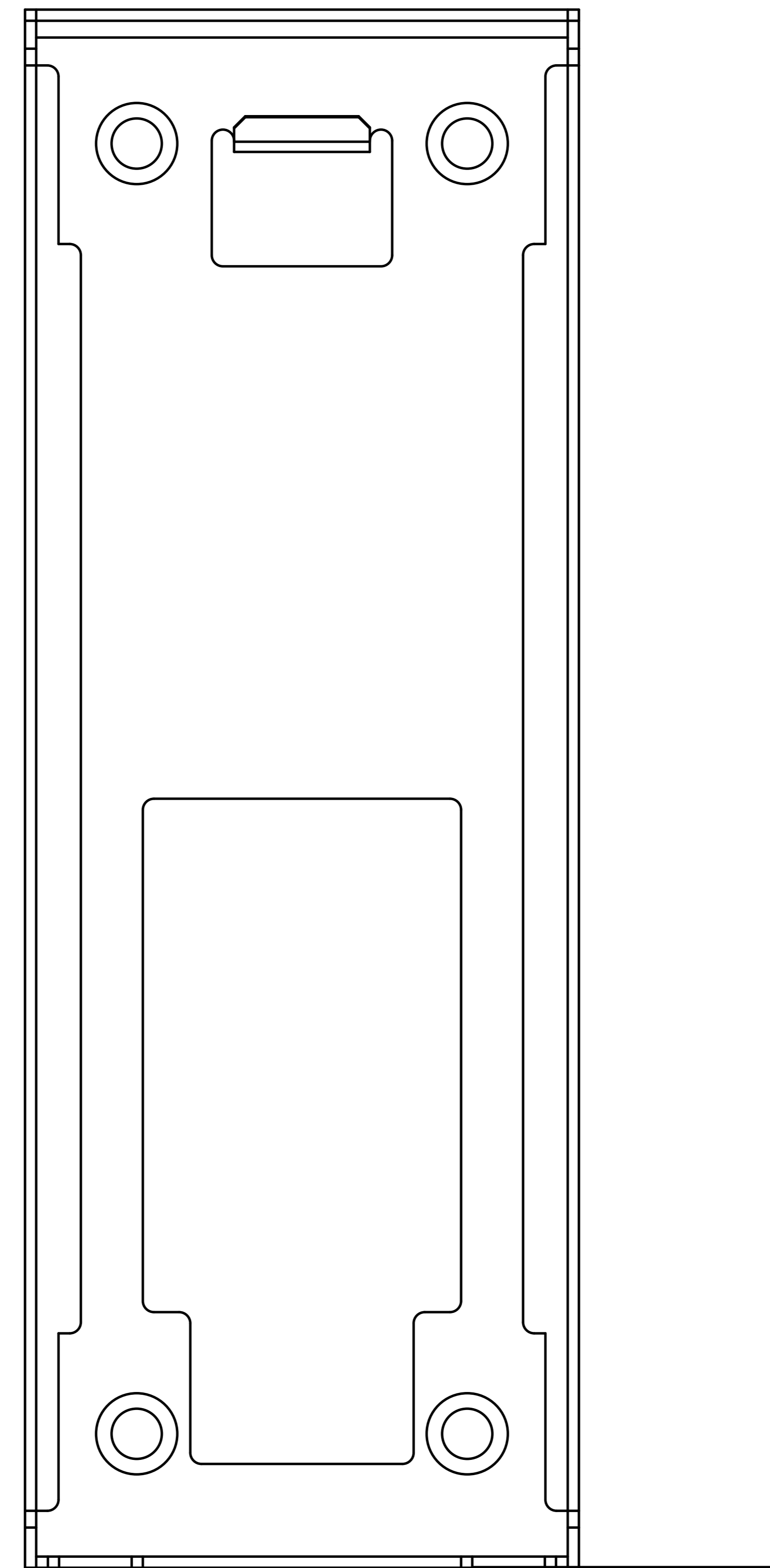
⑤ **TOP VIEW**



① **ACCESS CONTROL PANEL
FRONT VIEW**

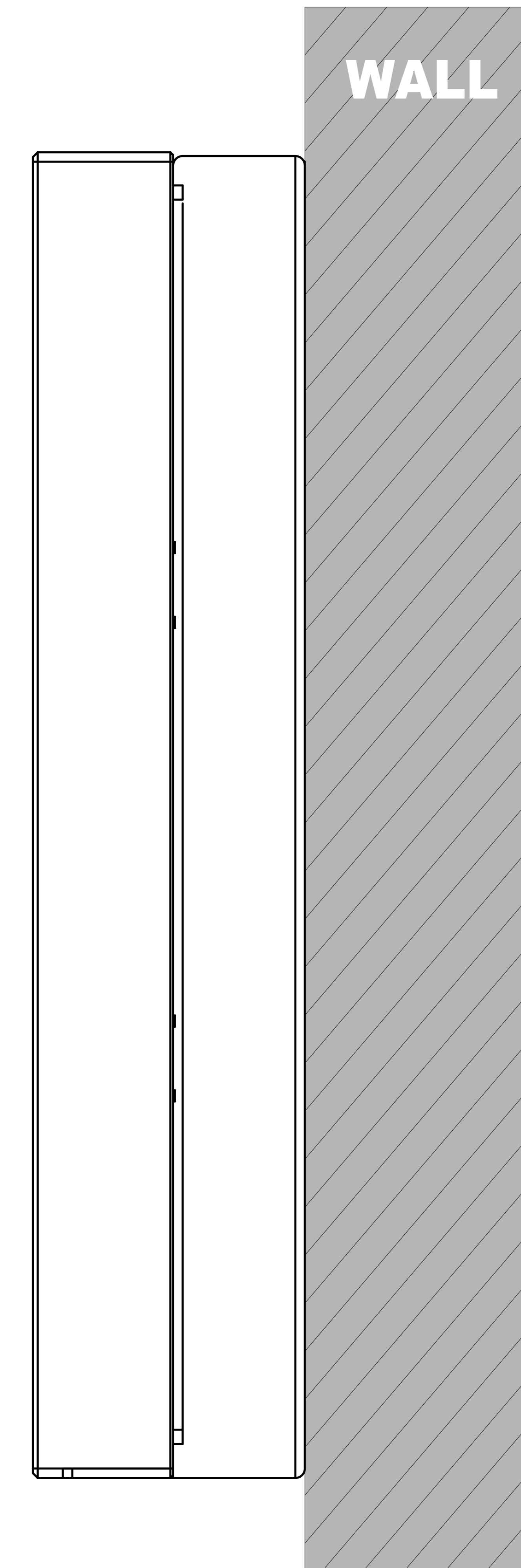
ADA Compliance Requirement

GROUND

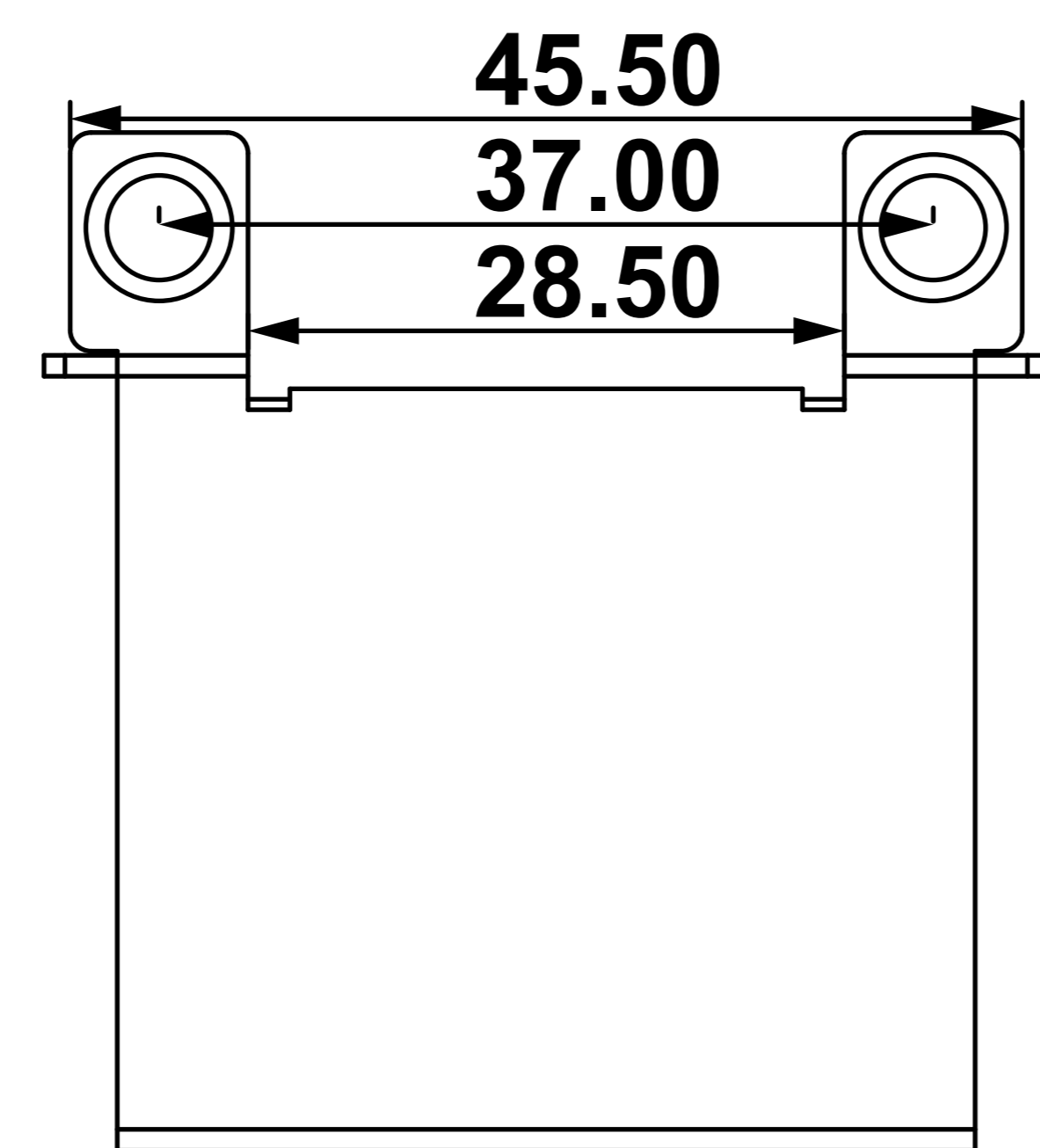


② **FRONT VIEW:WALL MOUNTING
BRACKET PLACEMENT**

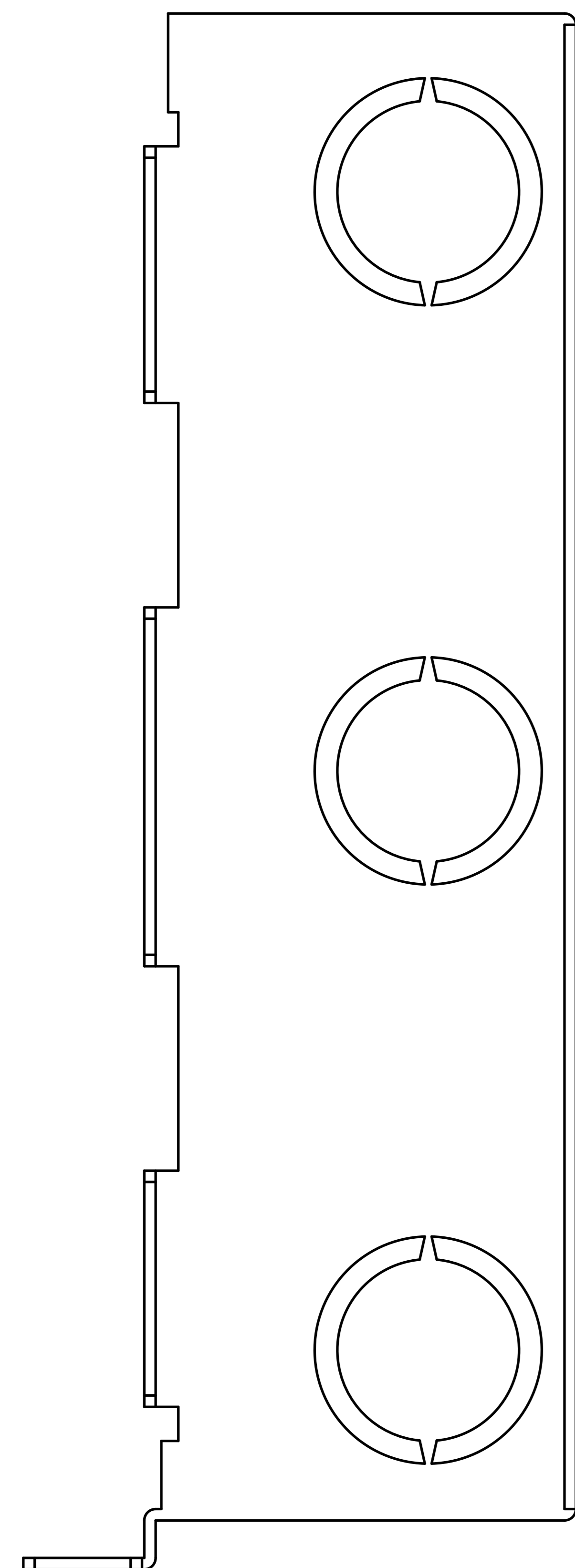
GROUND



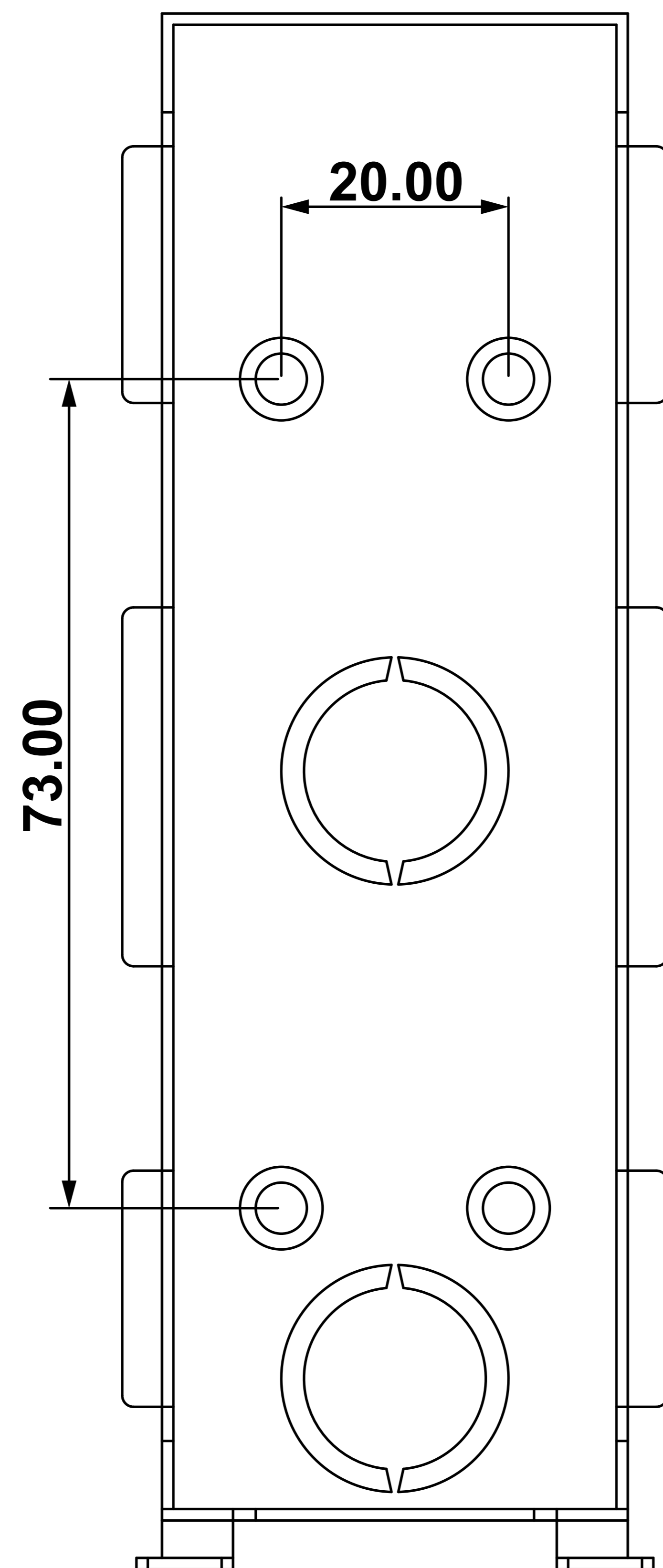
③ **SIDE VIEW:ACCESS CONTROL
ON WALL**



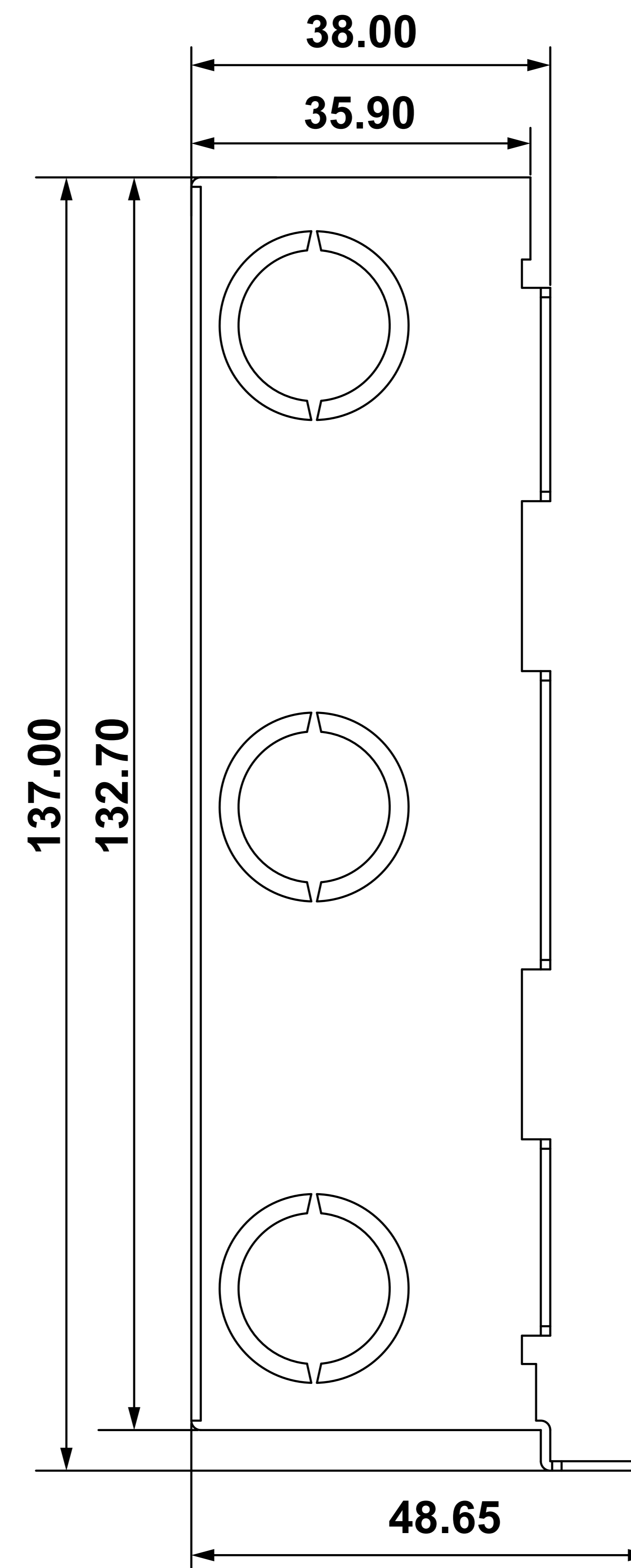
6 BOTTOM VIEW



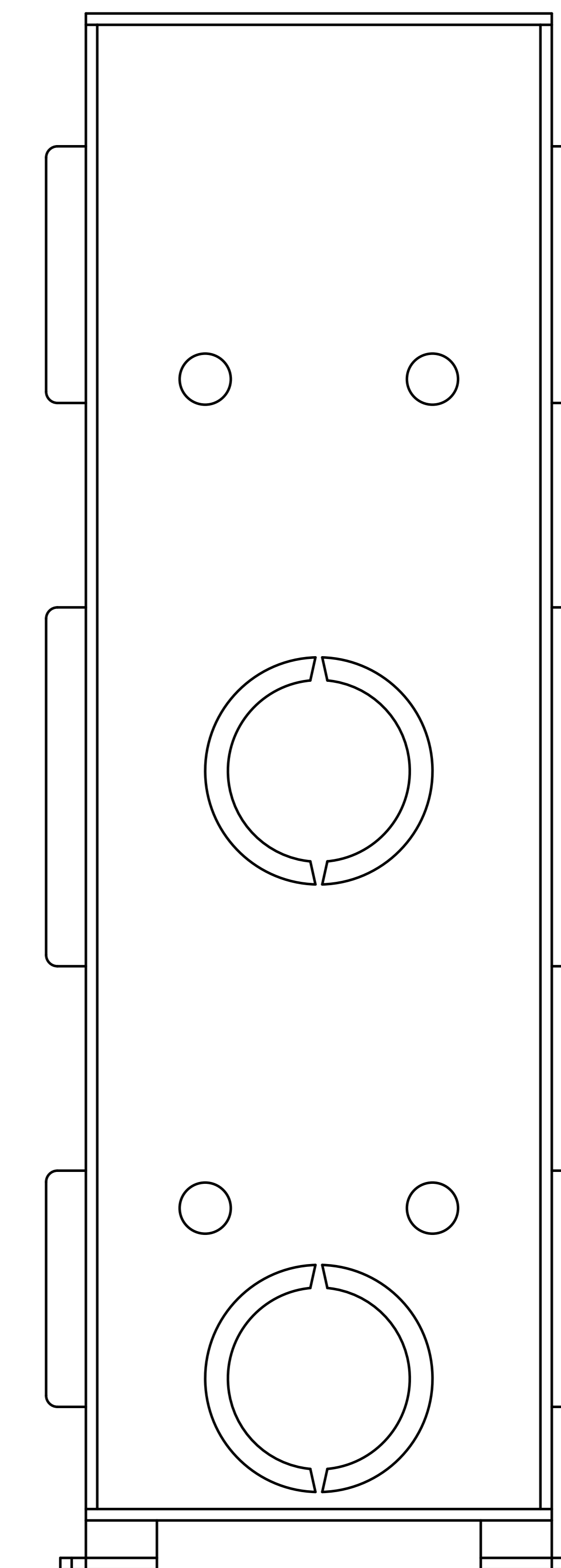
2 RIGHT VIEW



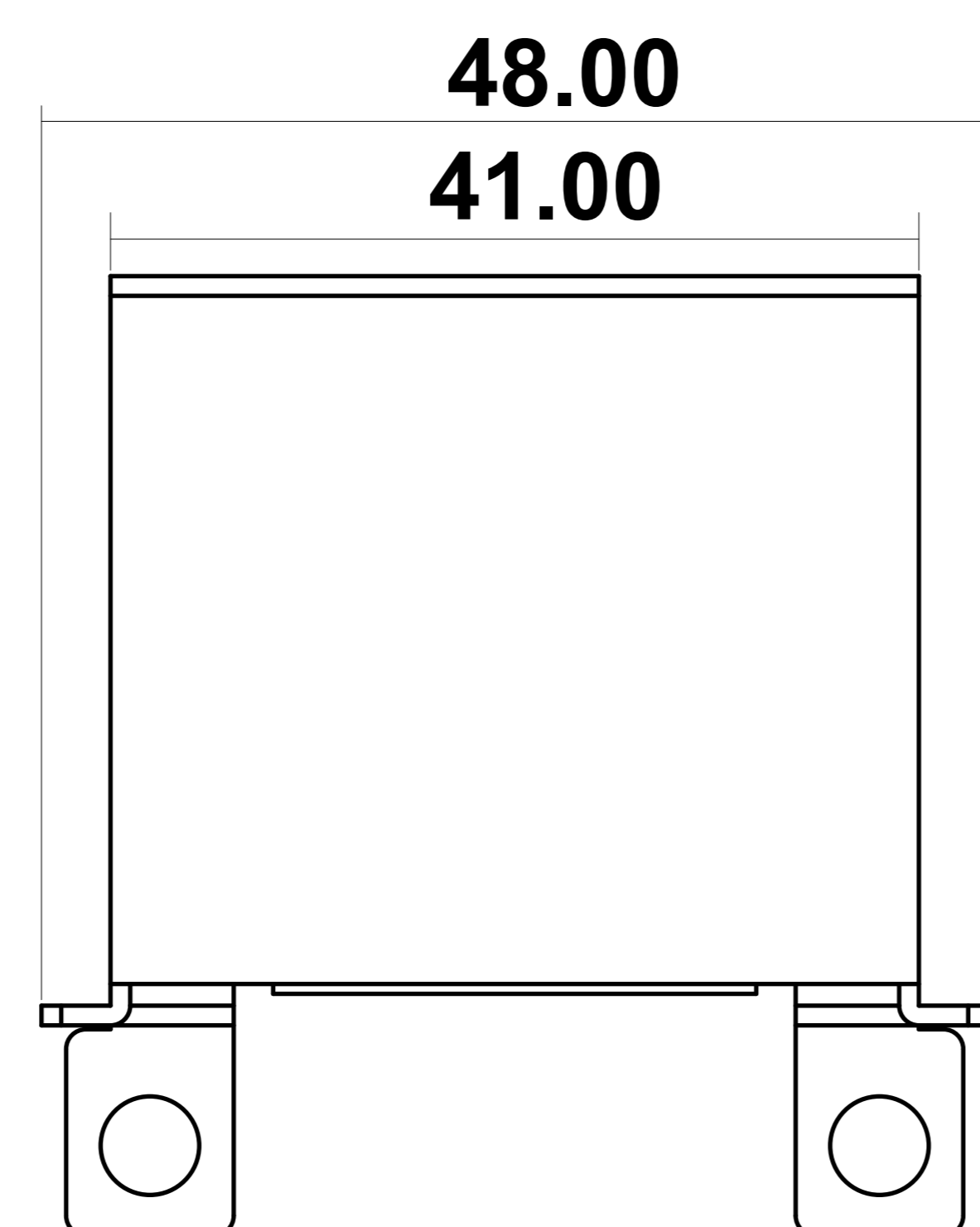
1 FRONT VIEW



3 LEFT VIEW



4 BACK VIEW



5 TOP VIEW

