

**Applicable Model**

A01

**Drawing Title**

Access Control Panel

**Drawing Unit**

mm

**Drawing Scale**

Not to scale

**DRAFT  
SUBJECT TO  
CHANGE**

**Last Revised**

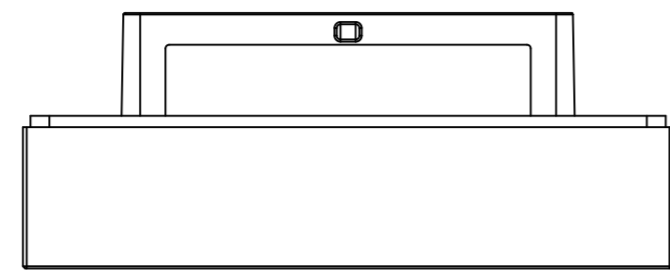
Mar 03,2022

**Drawing Version**

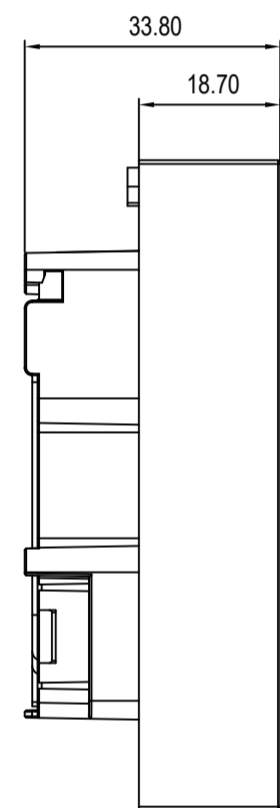
V1.0

**Page**

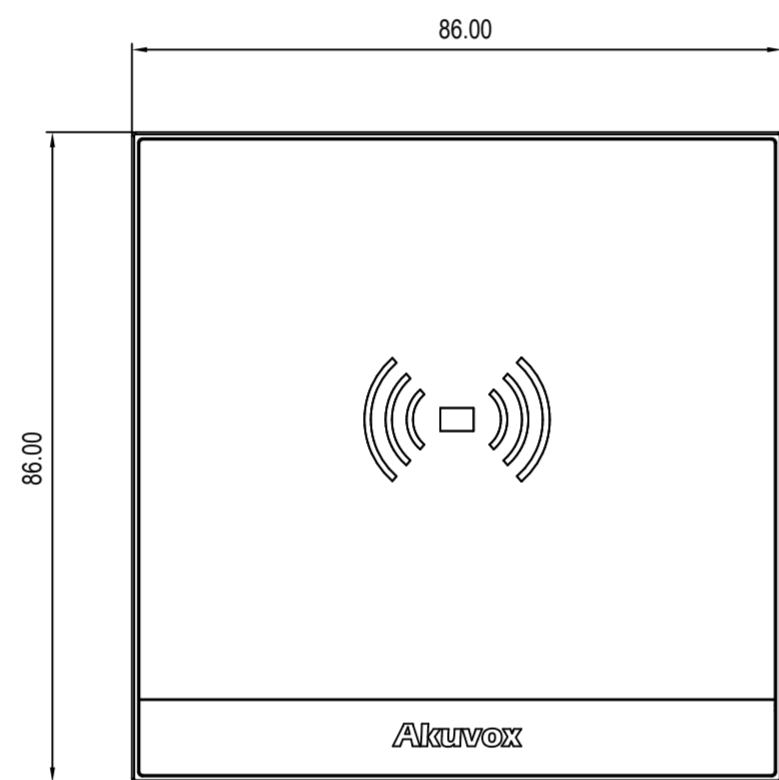
1 of 6



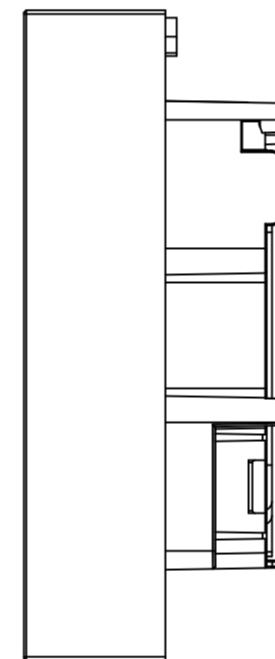
5 TOP VIEW



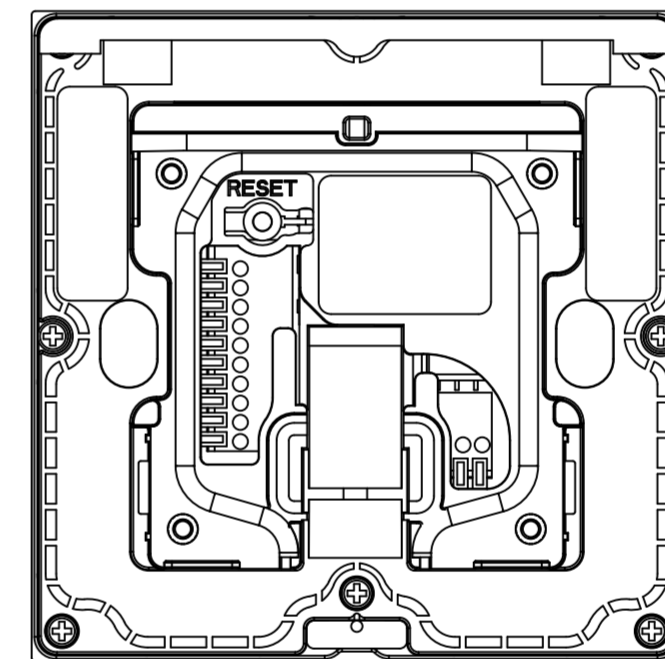
2 RIGHT VIEW



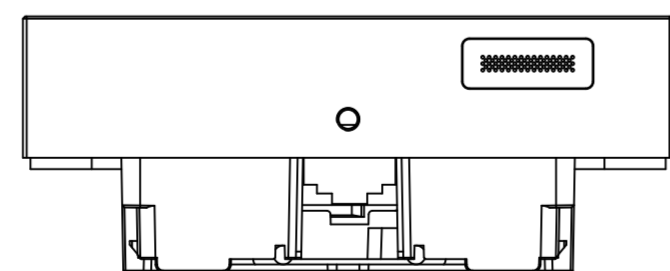
1 FRONT VIEW



3 LEFT VIEW



4 BACK VIEW



6 BOTTOM VIEW

**Applicable Model**

A01

**Drawing Title**

Wall Mounting Bracket

**Drawing Unit**

mm

**Drawing Scale**

Not to scale

**DRAFT  
SUBJECT TO  
CHANGE**

**Last Revised**

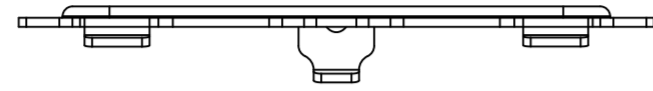
Mar 03,2022

**Drawing Version**

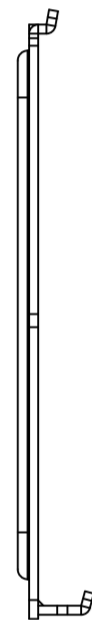
V1.0

**Page**

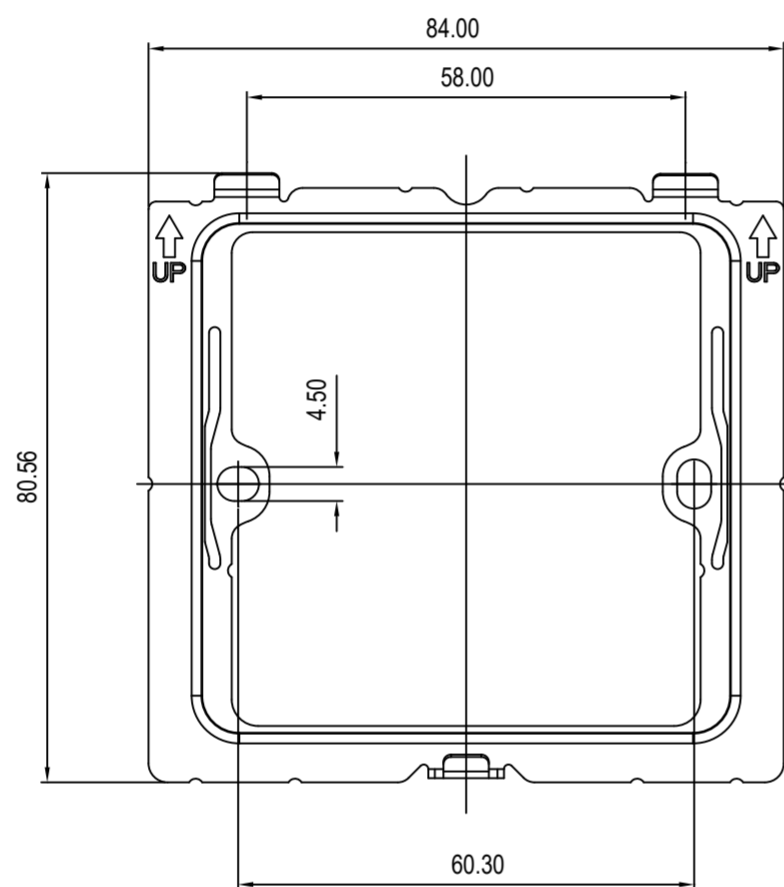
2 of 6



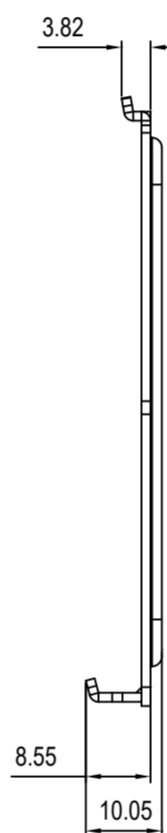
5 **TOP VIEW**



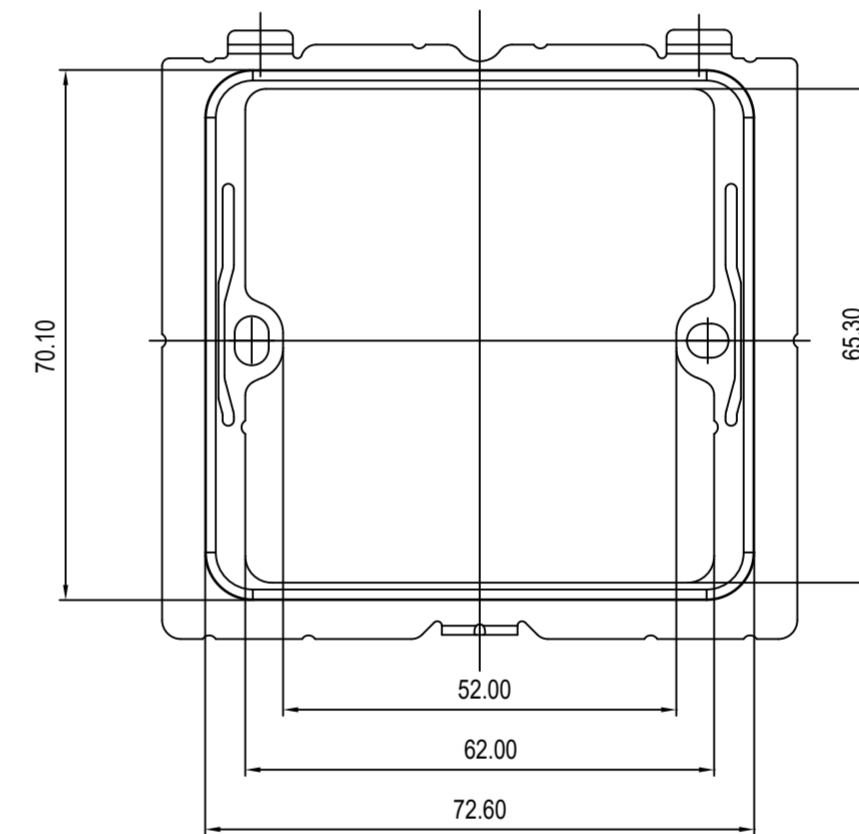
2 **RIGHT VIEW**



1 **FRONT VIEW**



3 **LEFT VIEW**



4 **BACK VIEW**



6 **BOTTOM VIEW**

**Applicable Model**

A01

**Drawing Title**

Flush Mounting Box

**Drawing Unit**

mm

**Drawing Scale**

Not to scale

**DRAFT  
SUBJECT TO  
CHANGE**

**Last Revised**

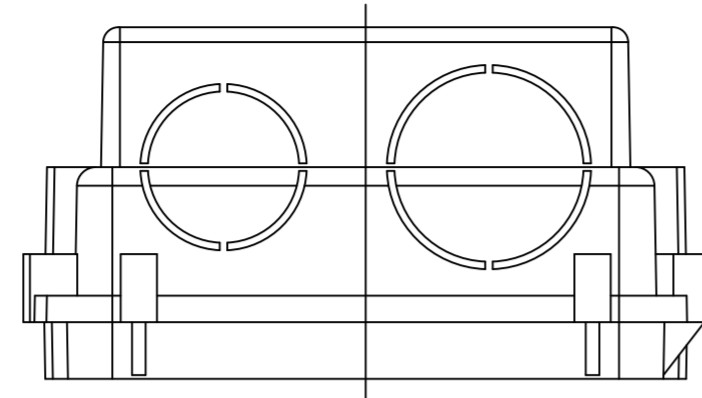
Mar 03,2022

**Drawing Version**

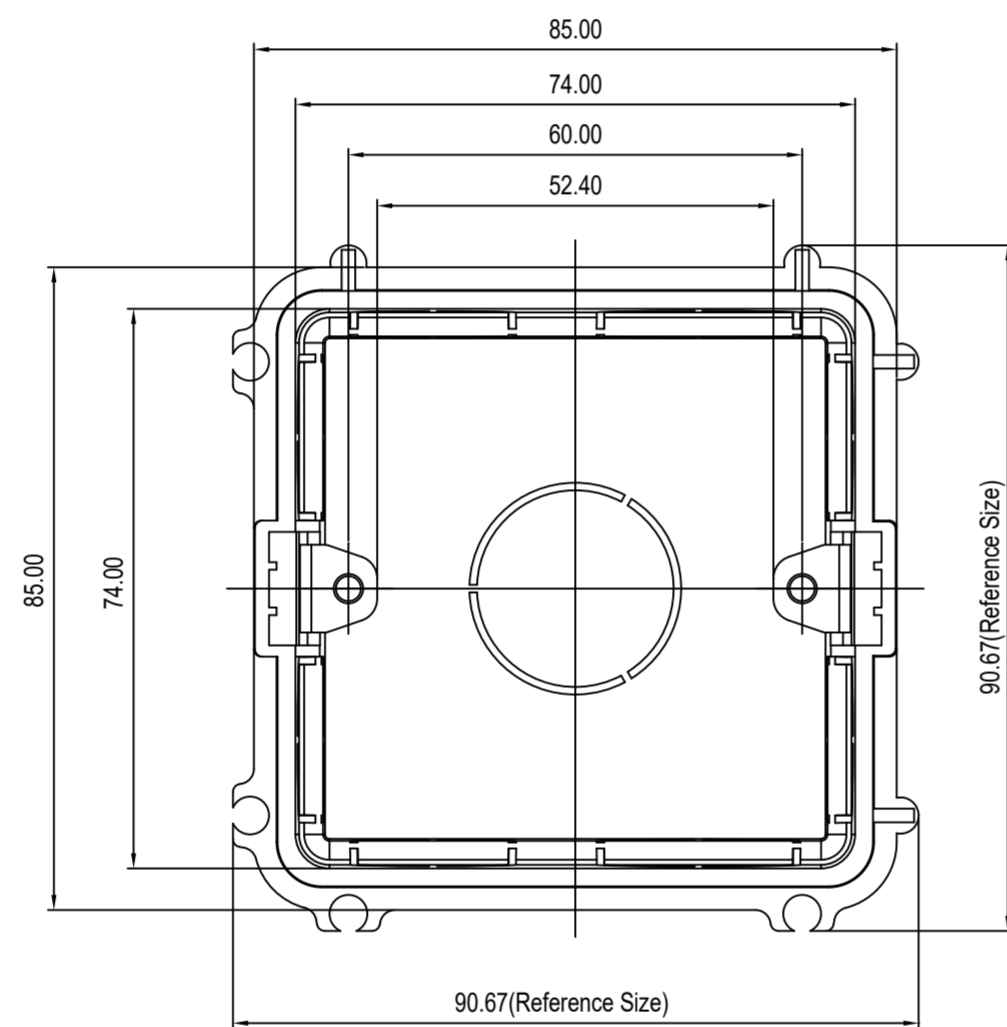
V1.0

**Page**

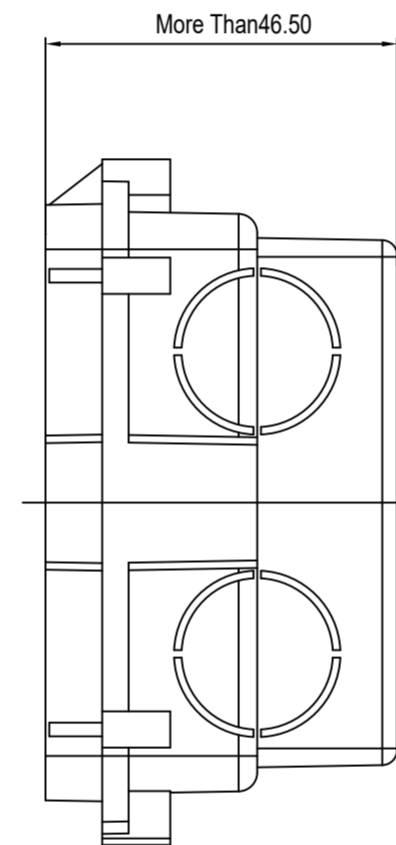
3 of 6



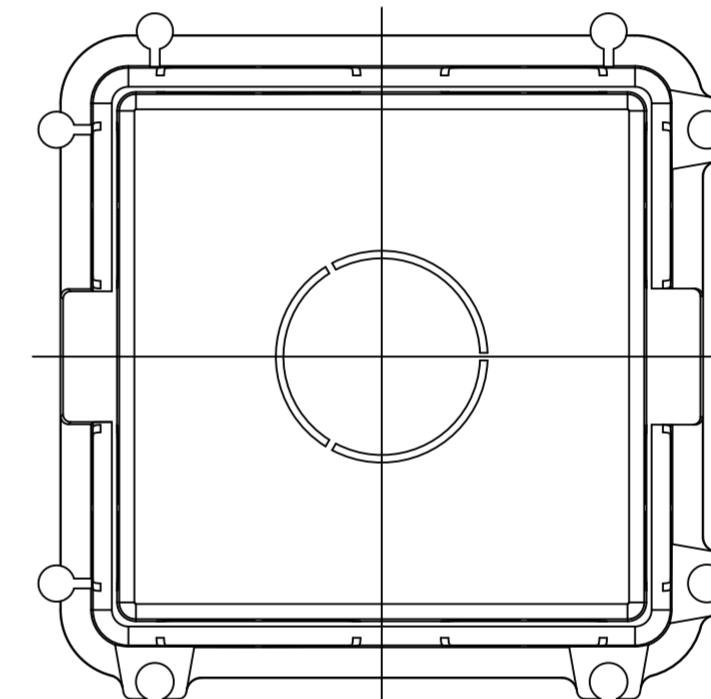
5 TOP VIEW



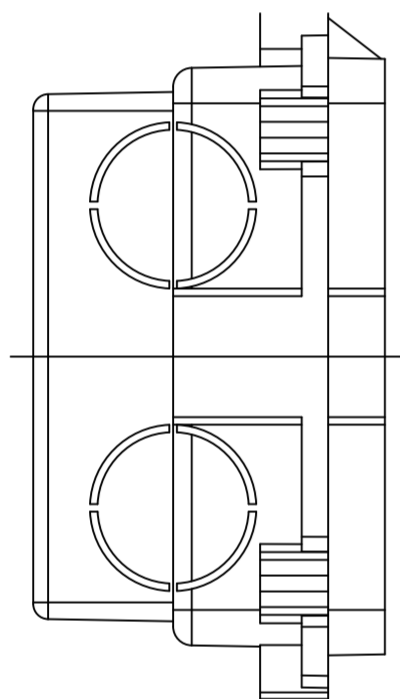
1 FRONT VIEW



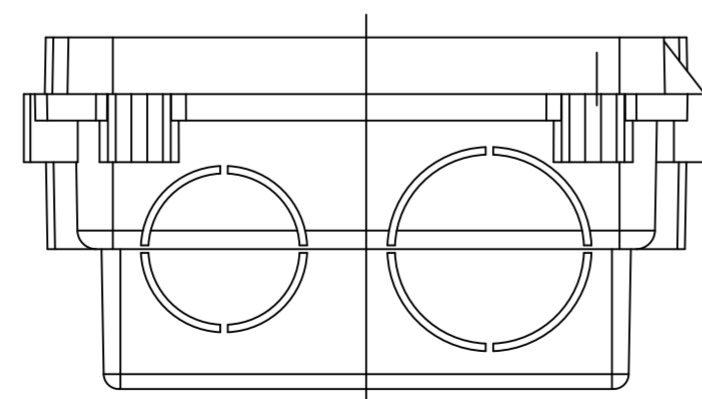
3 LEFT VIEW



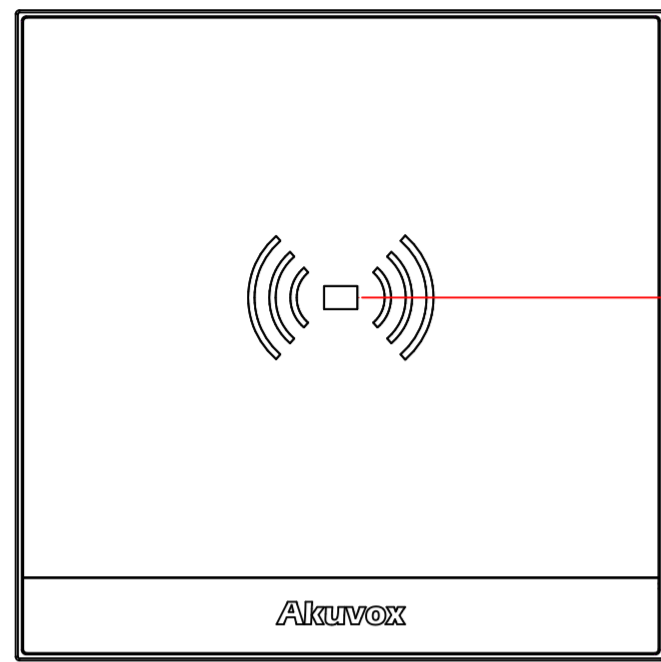
4 BACK VIEW



2 RIGHT VIEW



6 BOTTOM VIEW



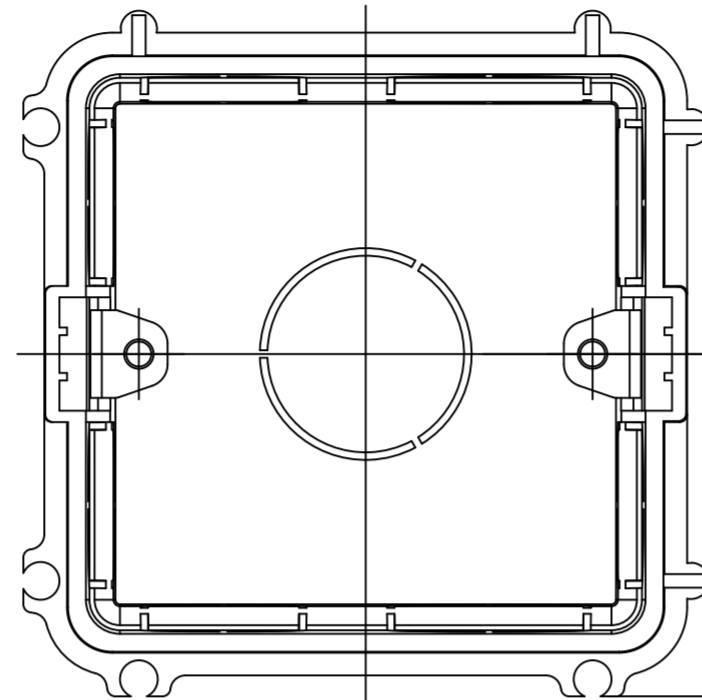
1 INTERCOM PANEL FRONT VIEW

1100mm MAX TO BOTTOM OF PANEL

1148mm MAX TO CENTER OF USABLE PARTS

**ADA Compliance Requirement**

GROUND

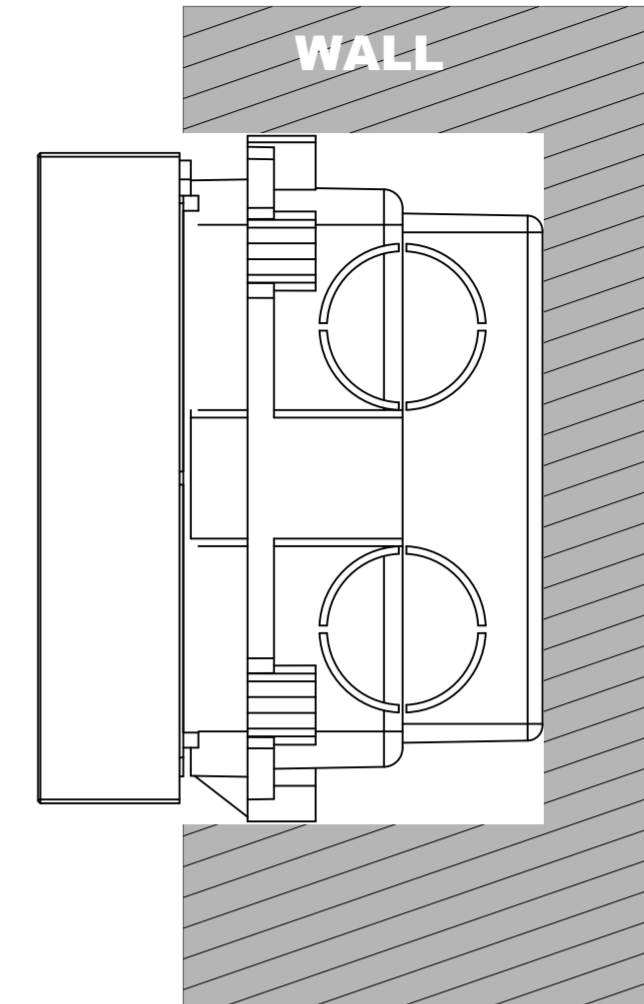


2 FRONT VIEW:FULL MOUNTING BOX PLACEMENT

1095.33mm MAX TO BOTTOM OF BRACKET

1143mm MAX TO SCREW HOLE CENTER OF BRACKET

GROUND



3 SIDE VIEW:INTERCOM PANEL IN WALL

**Applicable Model**

A01

**Drawing Title**

Placement

**Drawing Unit**

mm

**Drawing Scale**

Not to scale

**DRAFT  
SUBJECT TO  
CHANGE**

**Last Revised**

Mar 03,2022

**Drawing Version**

V1.0

**Page**

4 of 6

**Applicable Model**

A01

**Drawing Title**

Wall Mounting Box

**Drawing Unit**

mm

**Drawing Scale**

Not to scale

**DRAFT  
SUBJECT TO  
CHANGE**

**Last Revised**

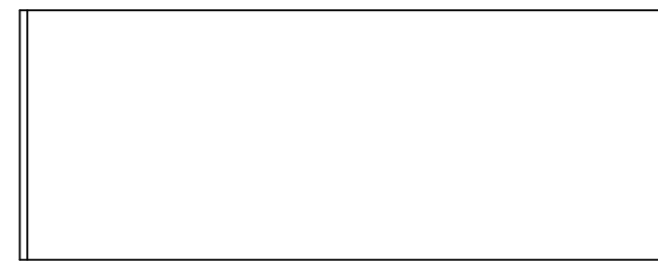
Mar 03,2022

**Drawing Version**

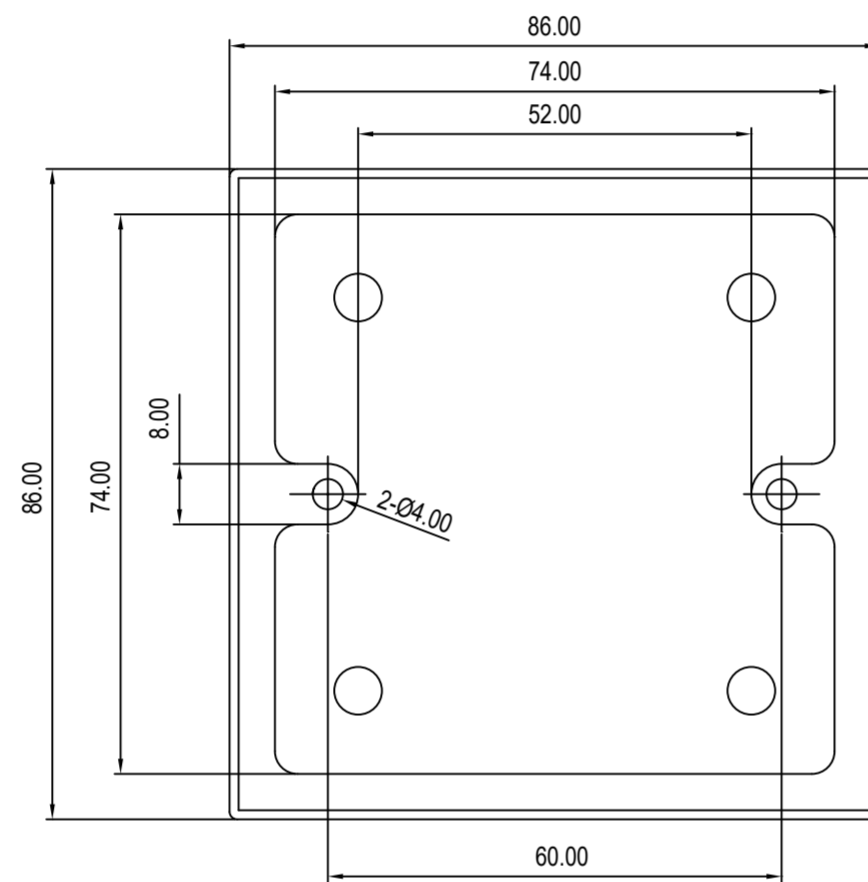
V1.0

**Page**

5 of 6



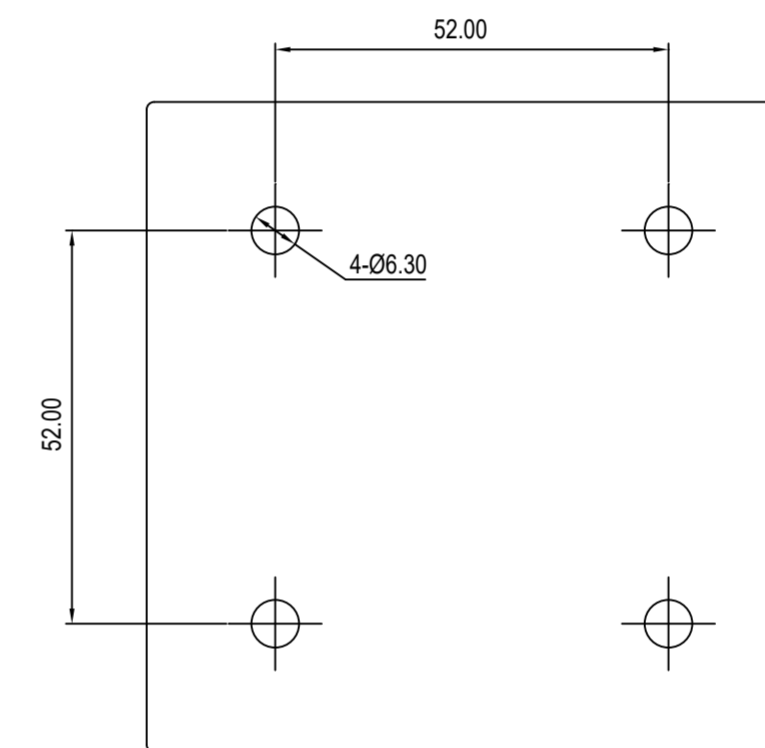
5 **TOP VIEW**



1 **FRONT VIEW**



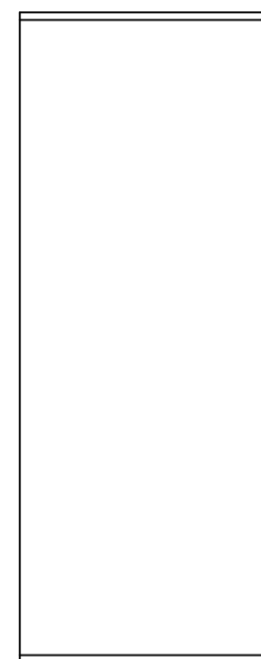
3 **LEFT VIEW**



4 **BACK VIEW**



6 **BOTTOM VIEW**



2 **RIGHT VIEW**

**Applicable Model**

A01

**Drawing Title**

Placemenet

**Drawing Unit**

mm

**Drawing Scale**

Not to scale

**DRAFT  
SUBJECT TO  
CHANGE**

**Last Revised**

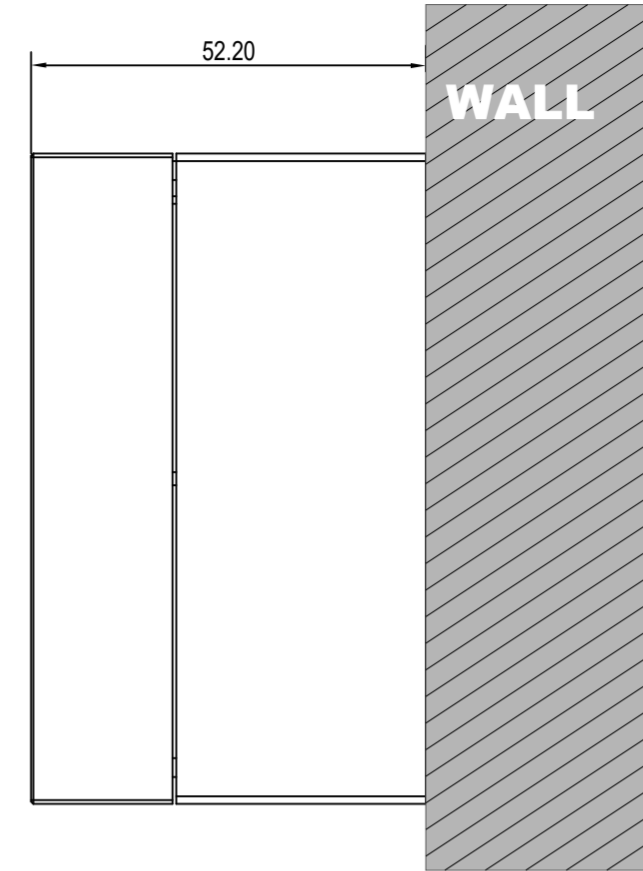
Mar 03,2022

**Drawing Version**

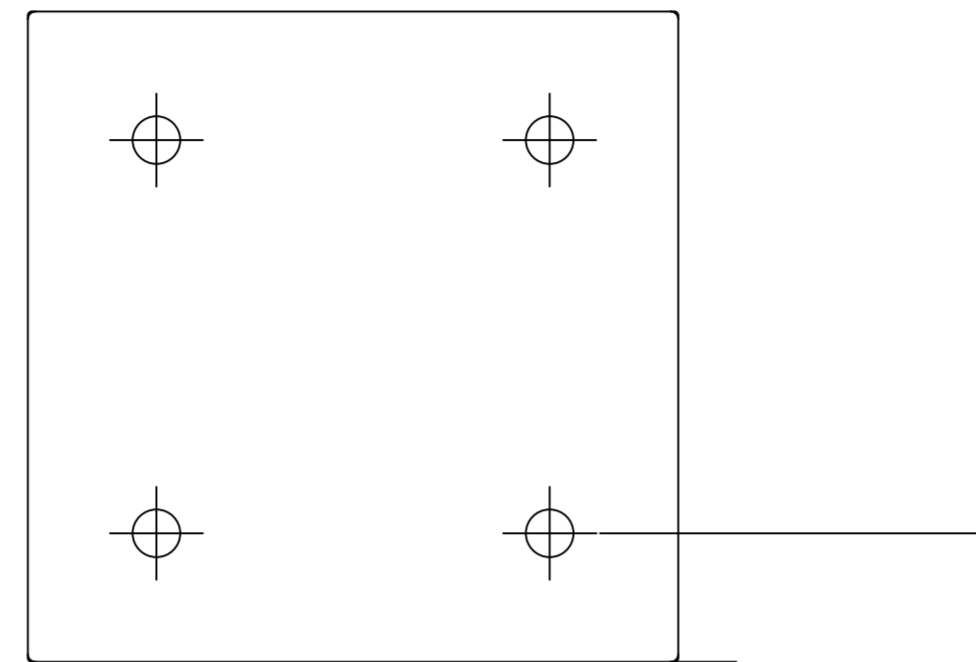
V1.0

**Page**

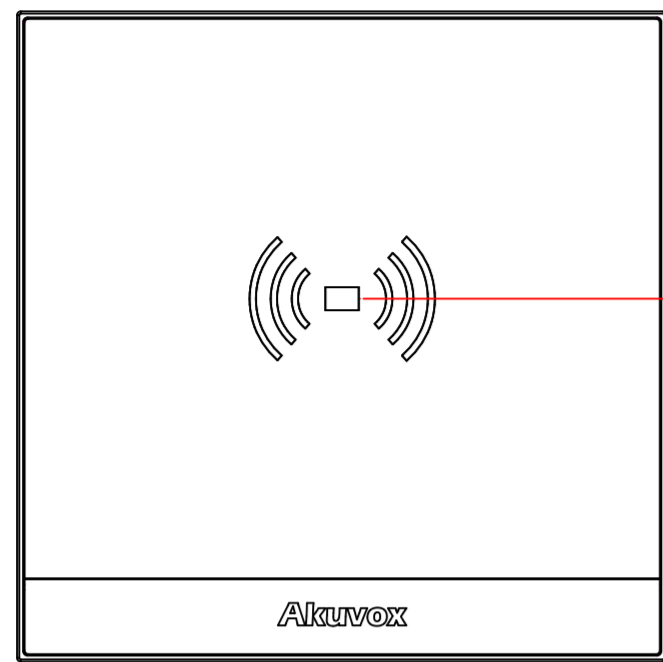
6 of 6



3 SIDE VIEW:INTERCOM PANEL ON WALL



2 FRONT VIEW:WALL MOUNTING BOX PLACEMENT



1 INTERCOM PANEL FRONT VIEW

1100mm MAX TO BOTTOM OF PANEL

1148mm MAX TO CENTER OF USABLE PARTS

**ADA Compliance Requirement**

GROUND

1100mm MAX TO BOTTOM OF BRACKET

1117mm MAX TO SCREW HOLE CENTER OF BRACKET

GROUND